

# Shoal

Shoal 1 600mm centre basin

**Top Thickness**  
 Casa Ceramic top: 20mm  
 Silestone: 20mm  
 Dekton: 12mm  
 Symphony: 20mm  
 Timber: Solid 30-35mm  
 (Above counter only)

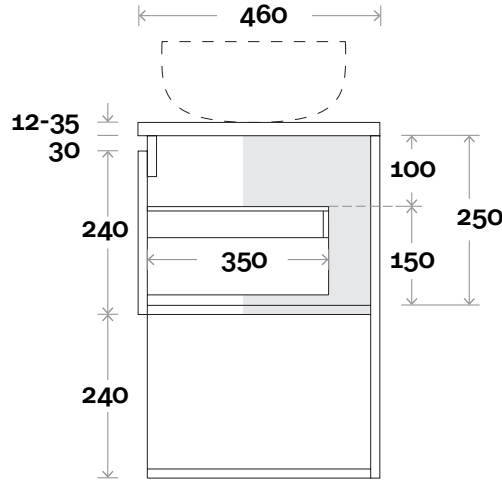
**Note:**

- Casa, Stone & Timber waste centre: 300mm Std (may vary depending on basin)

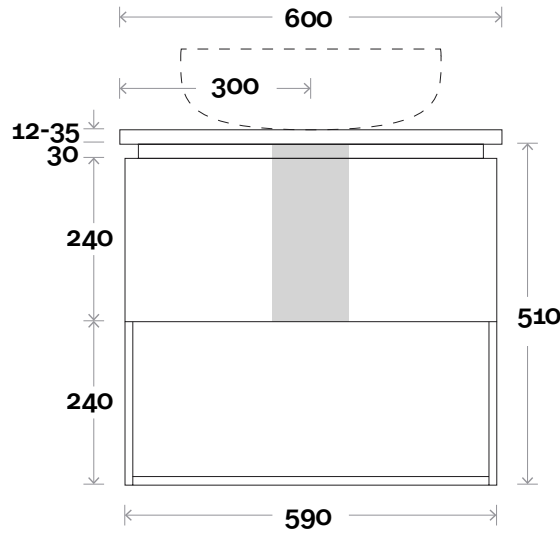


**Plumbing allowance**

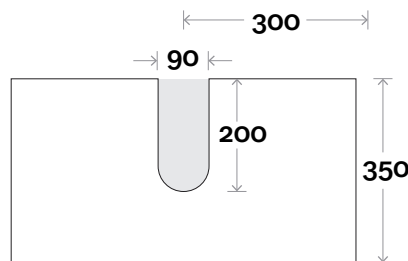
**Profile**



**Configuration**



**Top Drawer Box**



# Shoal

Shoal 2 750mm centre basin

**Top Thickness**  
 Casa Ceramic top: 20mm  
 Silestone: 20mm  
 Dekton: 12mm  
 Symphony: 20mm  
 Timber: Solid 30-35mm  
 (Above counter only)

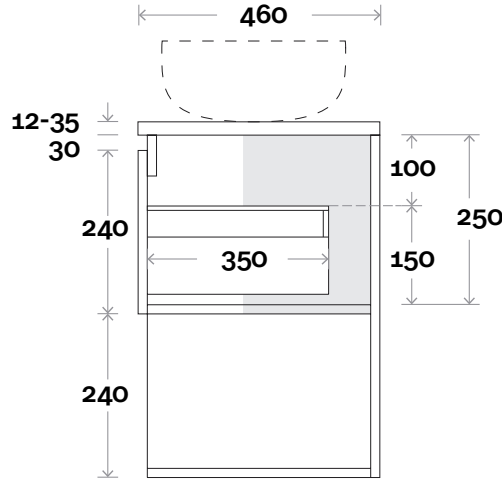
**Note:**

- Casa, Stone & Timber waste centre: 375mm std (may vary depending on basin)

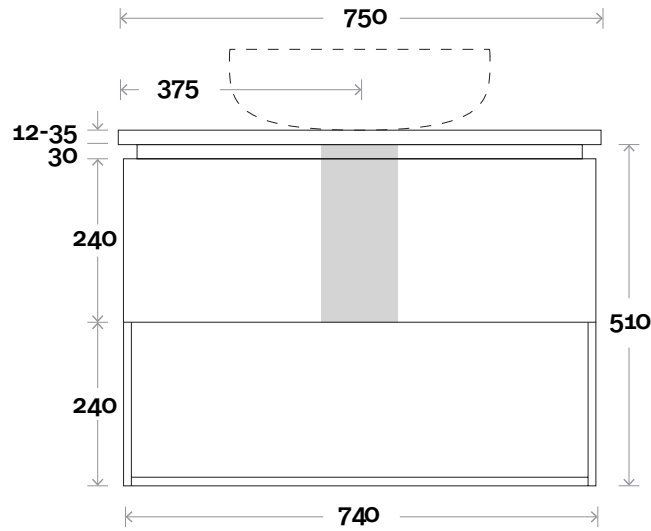


Plumbing allowance

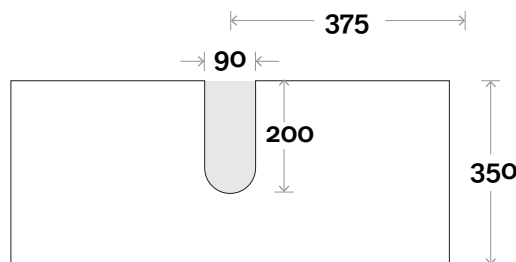
Profile



Configuration



Top Drawer Box



# Shoal

Shoal 3 900mm centre basin

**Top Thickness**  
 Casa Ceramic top: 20mm  
 Silestone: 20mm  
 Dekton: 12mm  
 Symphony: 20mm  
 Timber: Solid 30-35mm  
 (Above counter only)

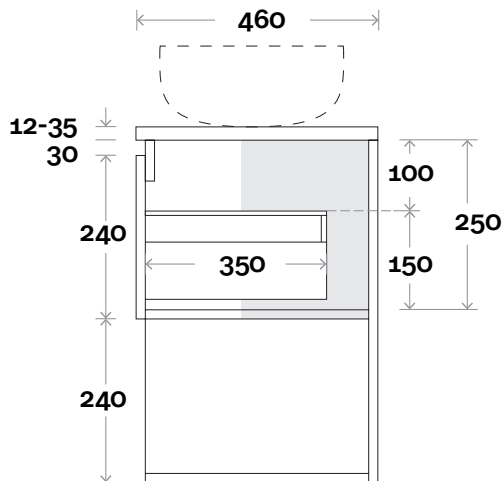
**Note:**

- Casa, Stone & Timber waste centre: 450mm Std (may vary depending on basin)

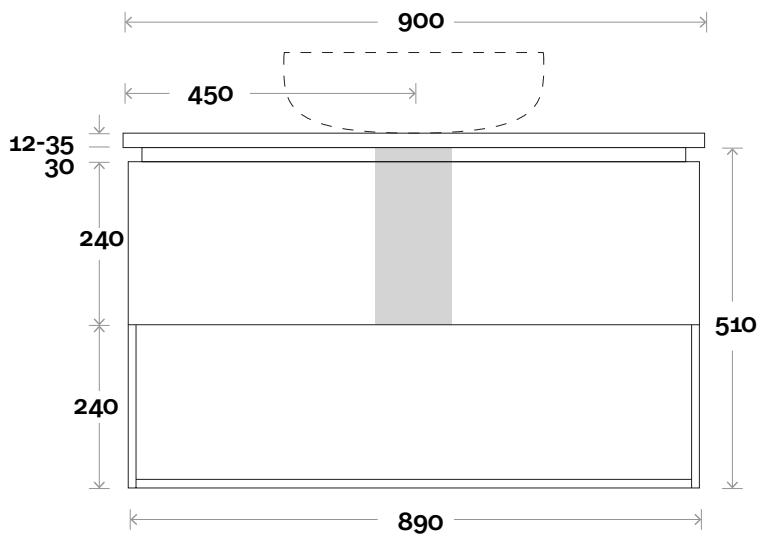


Plumbing allowance

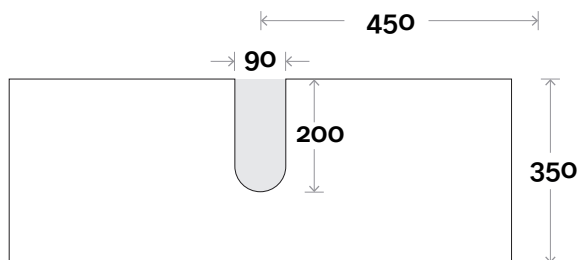
## Profile



## Configuration



## Top Drawer Box



# Shoal

Shoal 4 900mm off centre basin

**Top Thickness**  
Casa Ceramic top: 20mm  
Silestone: 20mm  
Dekton: 12mm  
Symphony: 20mm  
Timber: Solid 30-35mm  
(Above counter only)

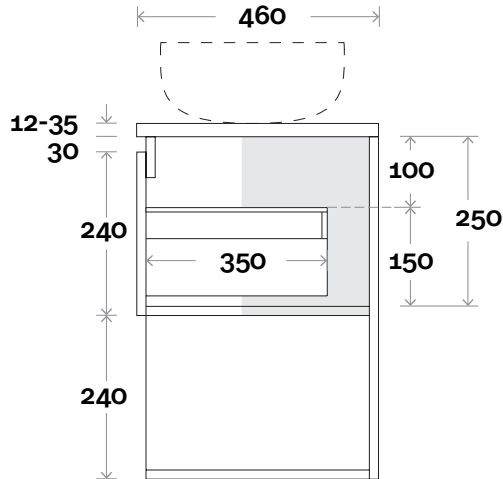
**Note:**

- Casa, Stone & Timber waste centre: 340mm Std (may vary depending on basin)
- Left or Right hand Basin

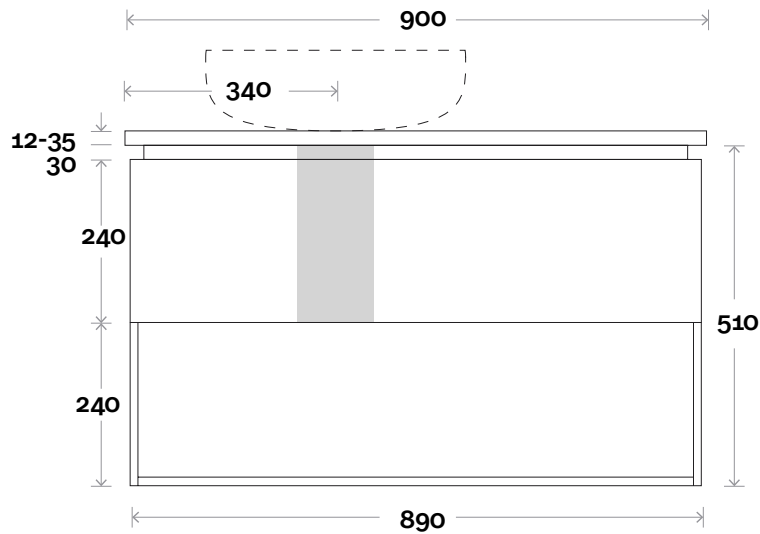


Plumbing allowance

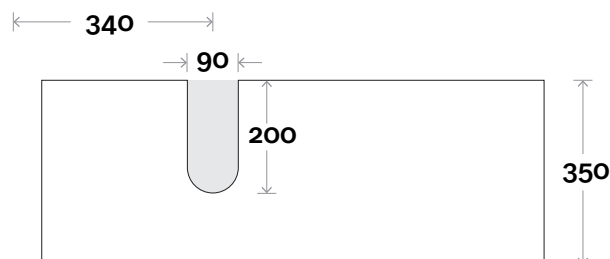
## Profile



## Configuration



## Top Drawer Box



# Shoal

Shoal 5 1200mm centre basin

**Top Thickness**  
 Casa Ceramic top: 20mm  
 Silestone: 20mm  
 Dekton: 12mm  
 Symphony: 20mm  
 Timber: Solid 30-35mm  
 (Above counter only)

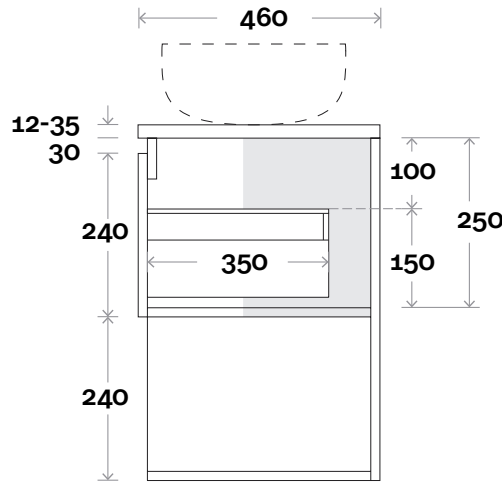
**Note:**

- Casa, Stone & Timber waste centre: 600mm Std (may vary depending on basin)

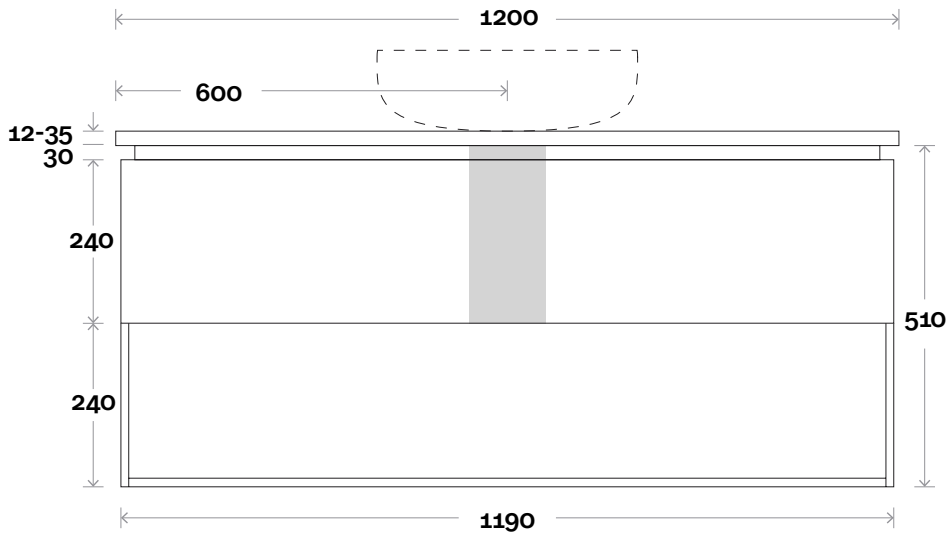


**Plumbing allowance**

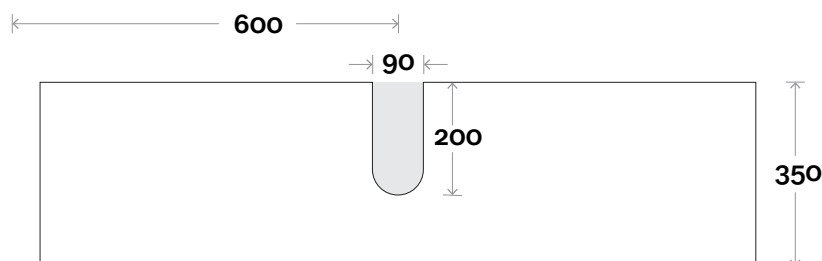
## Profile



## Configuration



## Top Drawer Box



# Shoal

Shoal 6 1200mm off centre basin

**Top Thickness**

- Silestone: 20mm
- Dekton: 12mm
- Symphony: 20mm
- Timber: Solid 30-35mm  
(Above counter only)

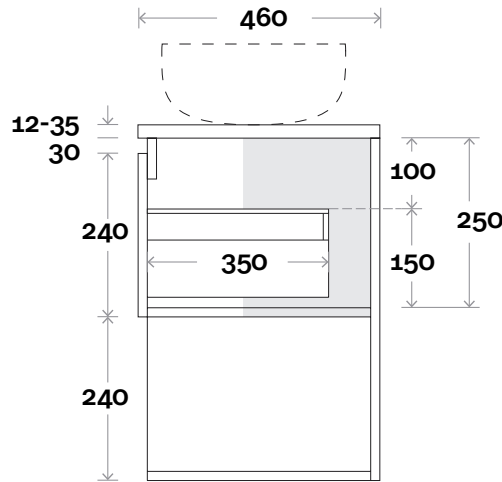
**Note:**

- Stone & Timber waste centre: 300mm std (may vary depending on basin)
- Left or Right hand Basin

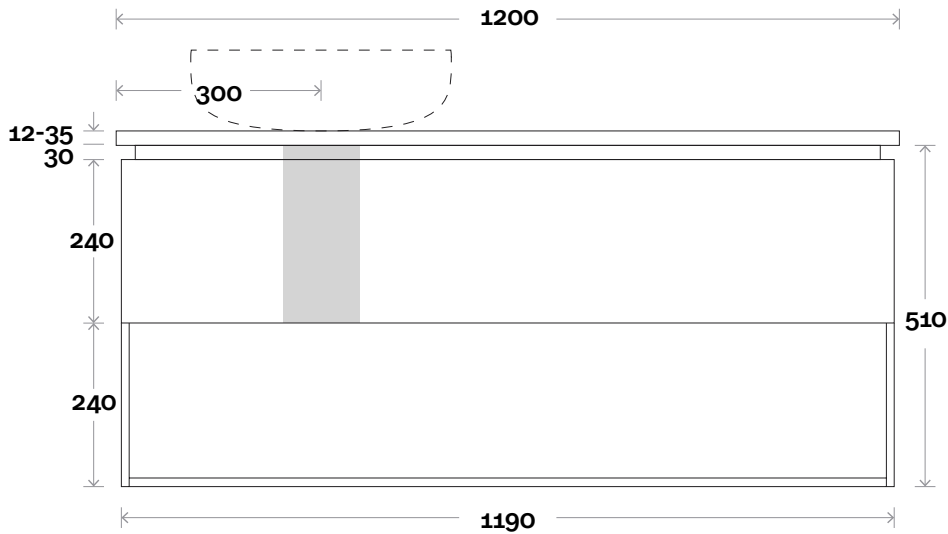


Plumbing allowance

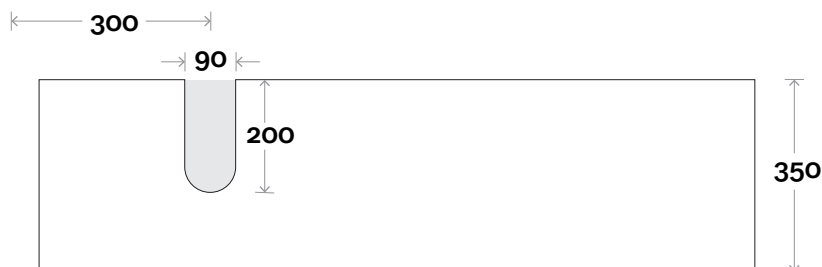
**Profile**



**Configuration**



**Top Drawer Box**



# Shoal

Shoal 7 1200mm double basin

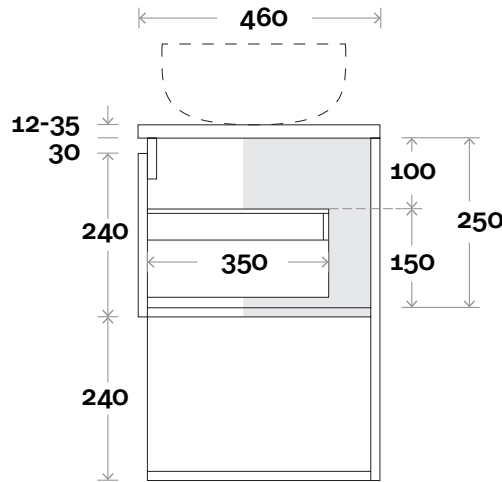
**Top Thickness**  
 Silestone: 20mm  
 Dekton: 12mm  
 Symphony: 20mm  
 Timber: Solid 30-35mm  
 (Above counter only)

**Note:**  
 • Stone & Timber waste centre:  
 300mm std (may vary depending on basin)

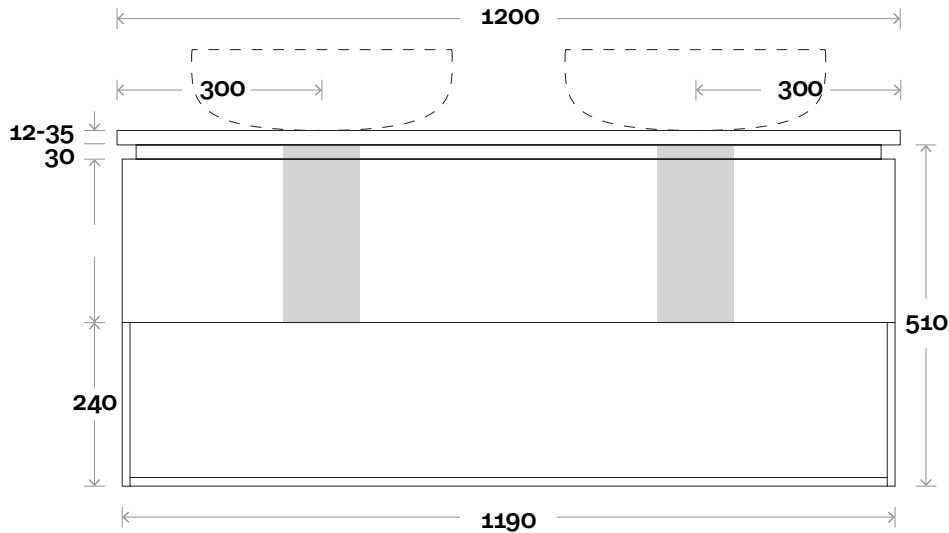


**Plumbing allowance**

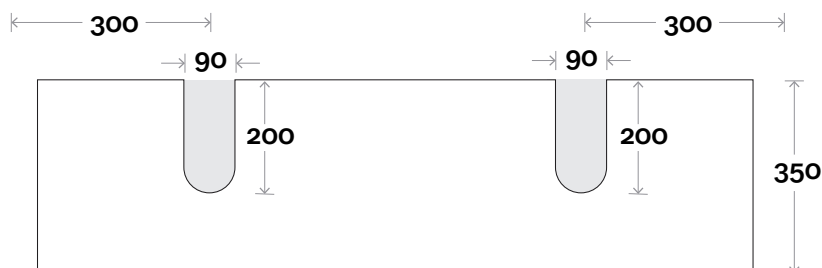
## Profile



## Configuration



## Top Drawer Box




# Shoal

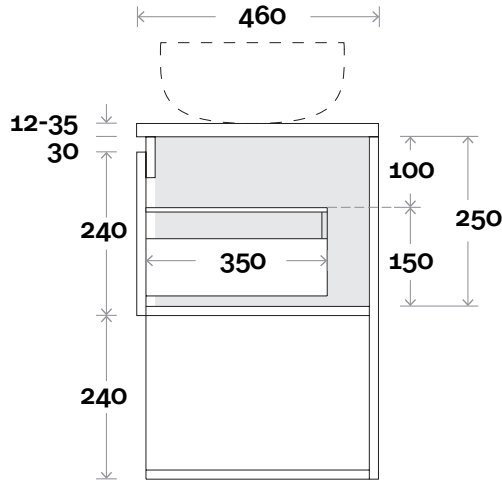
Shoal 8 1500mm centre basin

**Top Thickness**  
 Silestone: 20mm  
 Dekton: 12mm  
 Symphony: 20mm  
 Timber: Solid 30-35mm  
 (Above counter only)

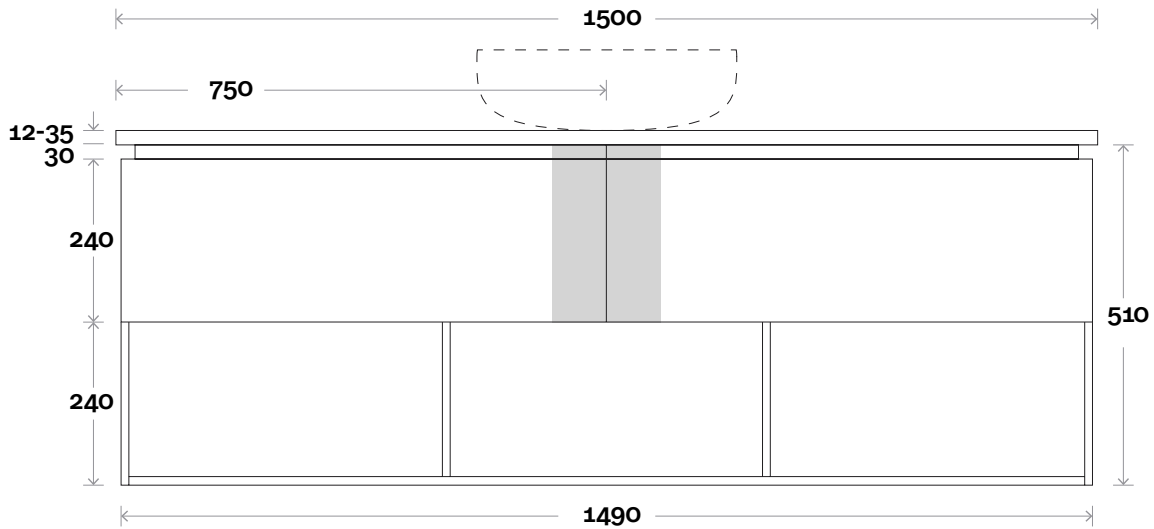
**Note:**  
 • Stone & Timber waste centre:  
 750mm std (may vary depending on basin)

 **Plumbing allowance**

## Profile



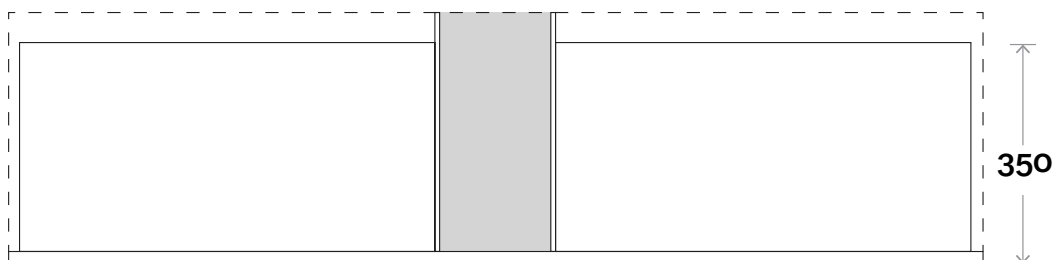
## Configuration



## Top Drawer Box

waste centre between drawers

→ 200 ←





# Shoal

Shoal 9 1500mm off centre basin

**Top Thickness**  
 Silestone: 20mm  
 Dekton: 12mm  
 Symphony: 20mm  
 Timber: Solid 30-35mm  
 (Above counter only)

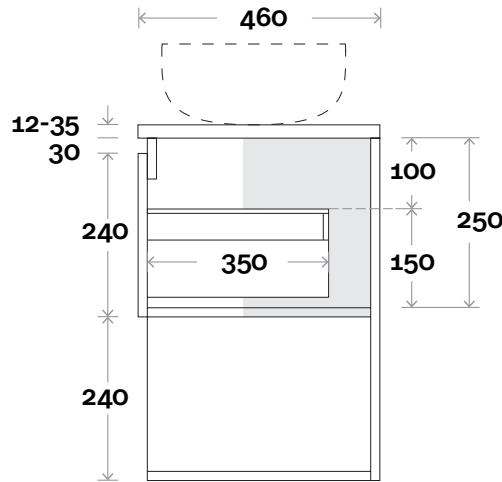
**Note:**  
 • Stone & Timber waste centre:  
 375mm std (may vary depending on basin)

• Left or Right Hand Basin

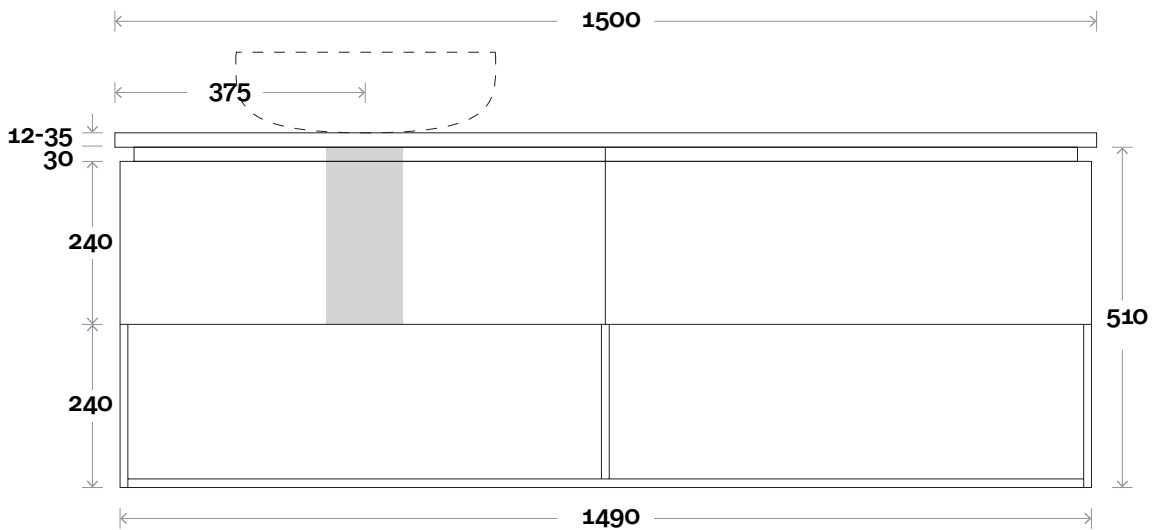


**Plumbing allowance**

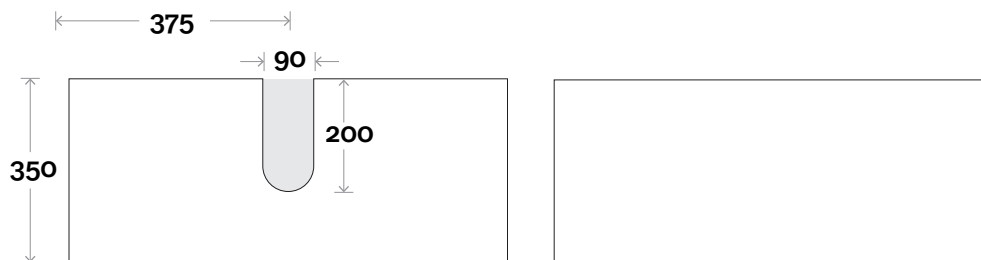
## Profile



## Configuration



## Top Drawer Box



# Shoal

Shoal 10 1500mm double basin

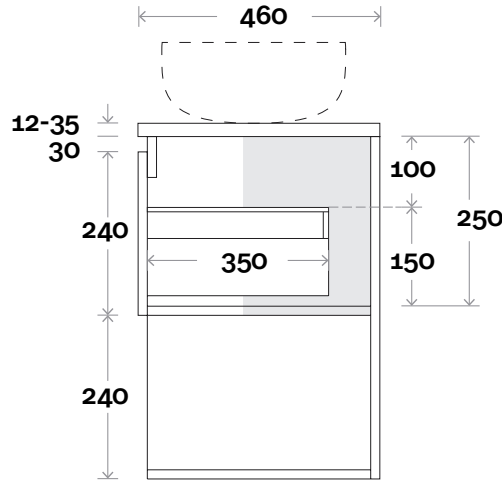
**Top Thickness**  
Silestone: 20mm  
Dekton: 12mm  
Symphony: 20mm  
Timber: Solid 30-35mm  
(Above counter only)

**Note:**  
• Stone & Timber waste centre:  
375mm std (may vary depending on basin)

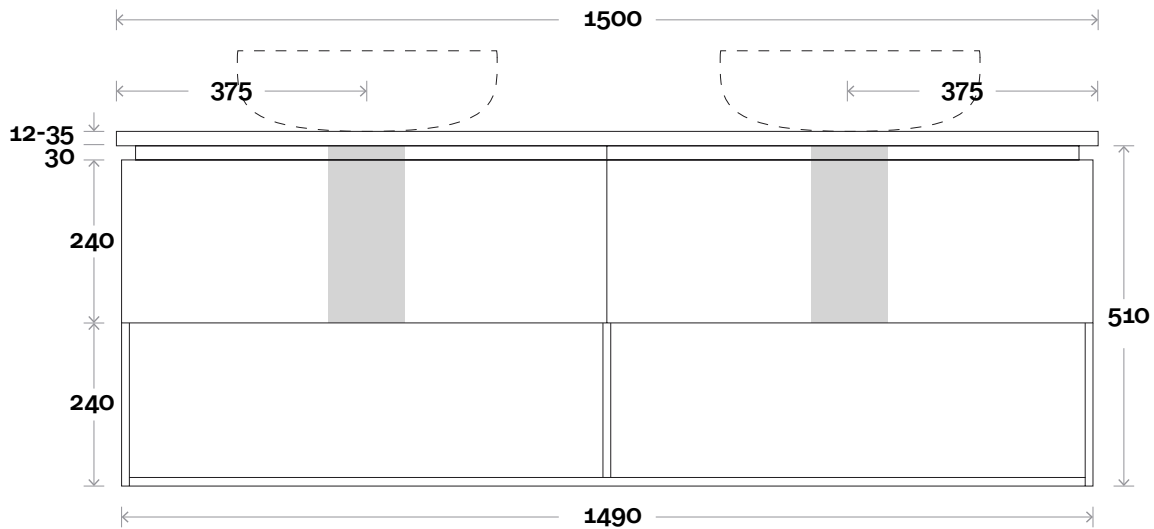


**Plumbing allowance**

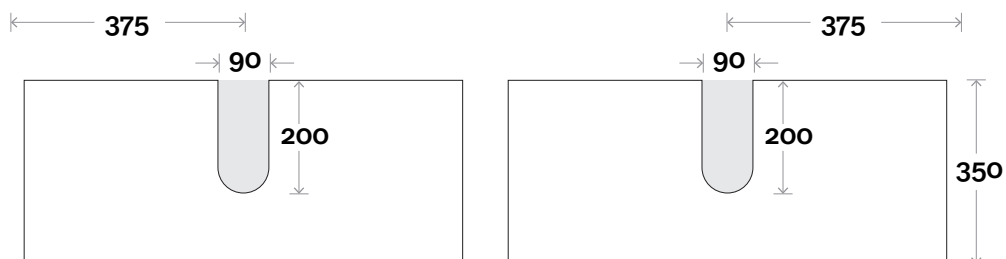
## Profile



## Configuration



## Top Drawer Box




# Shoal

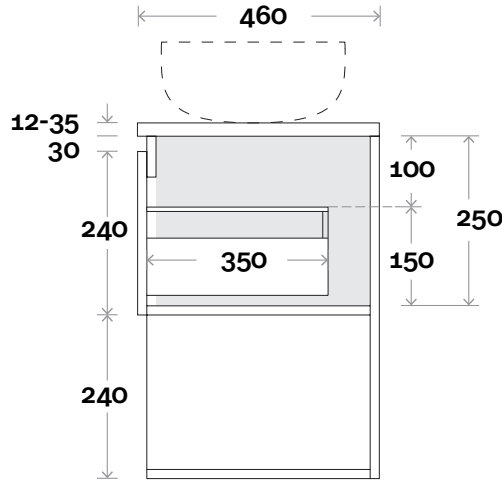
Shoal 11 1800mm centre basin

**Top Thickness**  
 Silestone: 20mm  
 Dekton: 12mm  
 Symphony: 20mm  
 Timber: Solid 30-35mm  
 (Above counter only)

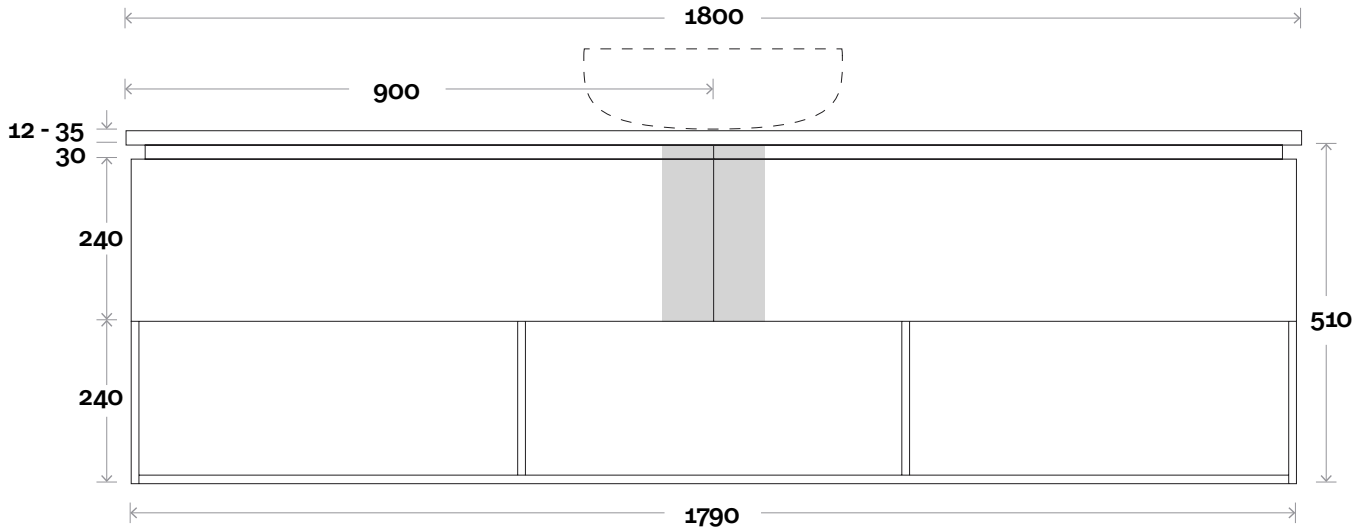
**Note:**  
 • Stone & Timber waste centre:  
 900mm std (may vary depending on basin)

 **Plumbing allowance**

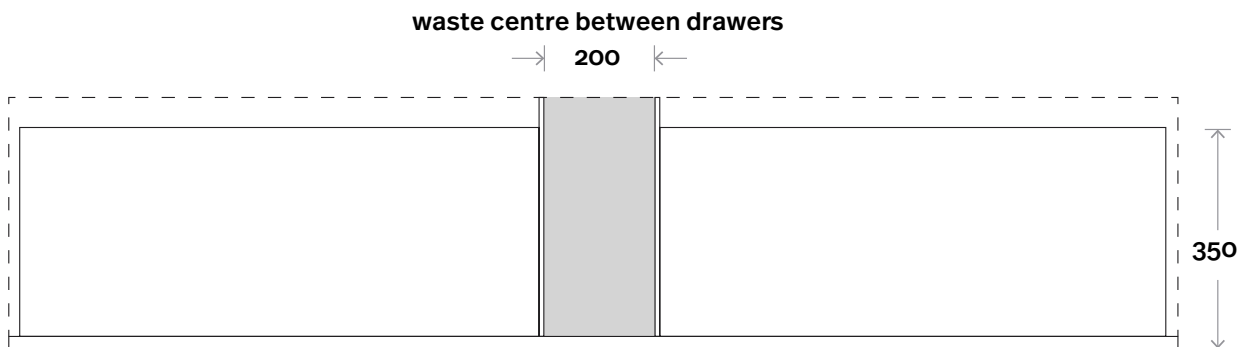
## Profile



## Configuration



## Top Drawer Box



# Shoal

Shoal 12 1800mm off centre basin

**Top Thickness**  
 Silestone: 20mm  
 Dekton: 12mm  
 Symphony: 20mm  
 Timber: Solid 30-35mm  
 (Above counter only)

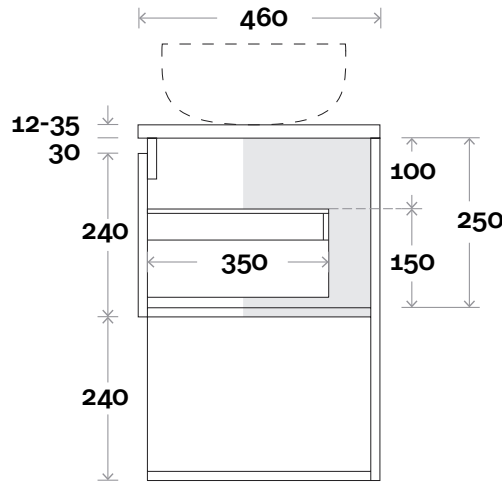
**Note:**  
 • Stone & Timber waste centre:  
 450mm std (may vary depending on basin)

• Left or Right Hand Basin

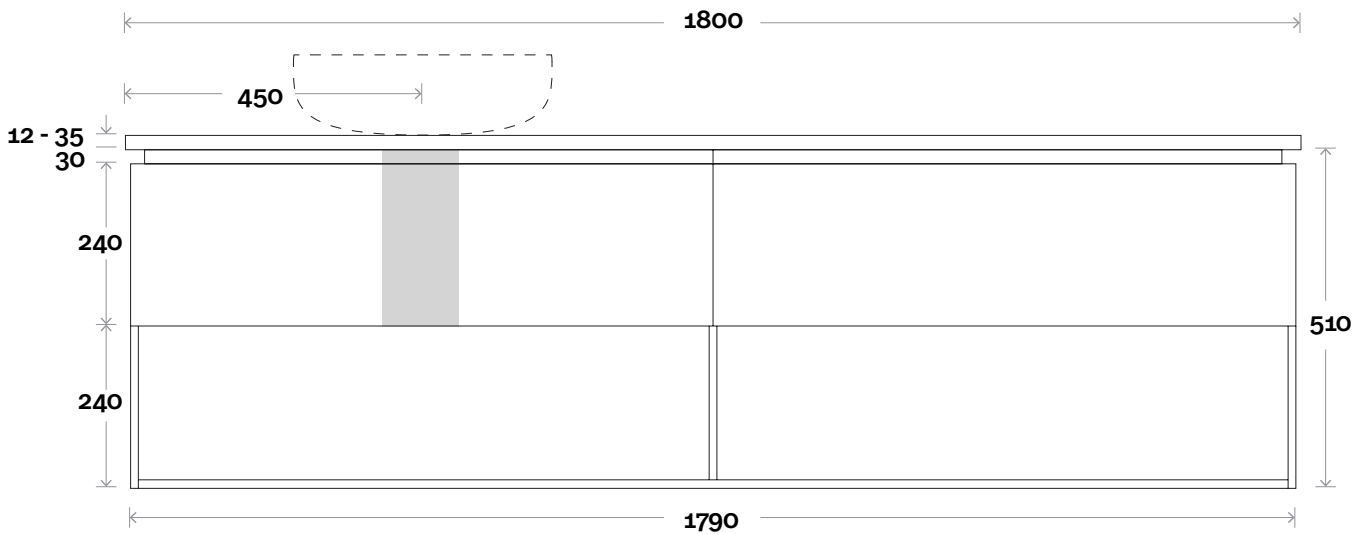


**Plumbing allowance**

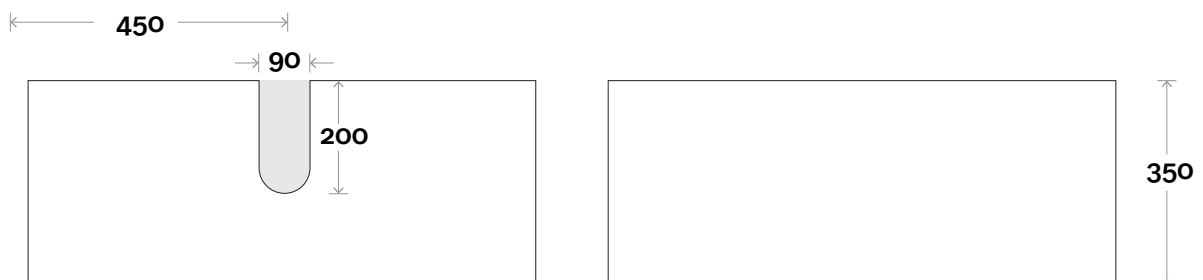
## Profile



## Configuration



## Top Drawer Box




# Shoal

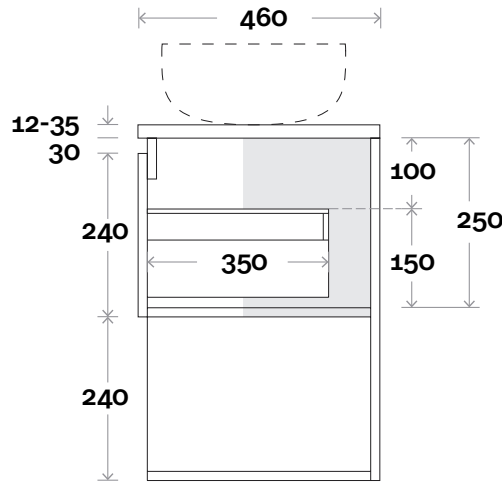
Shoal 13 1800mm double basin

**Top Thickness**  
 Silestone: 20mm  
 Dekton: 12mm  
 Symphony: 20mm  
 Timber: Solid 30-35mm  
 (Above counter only)

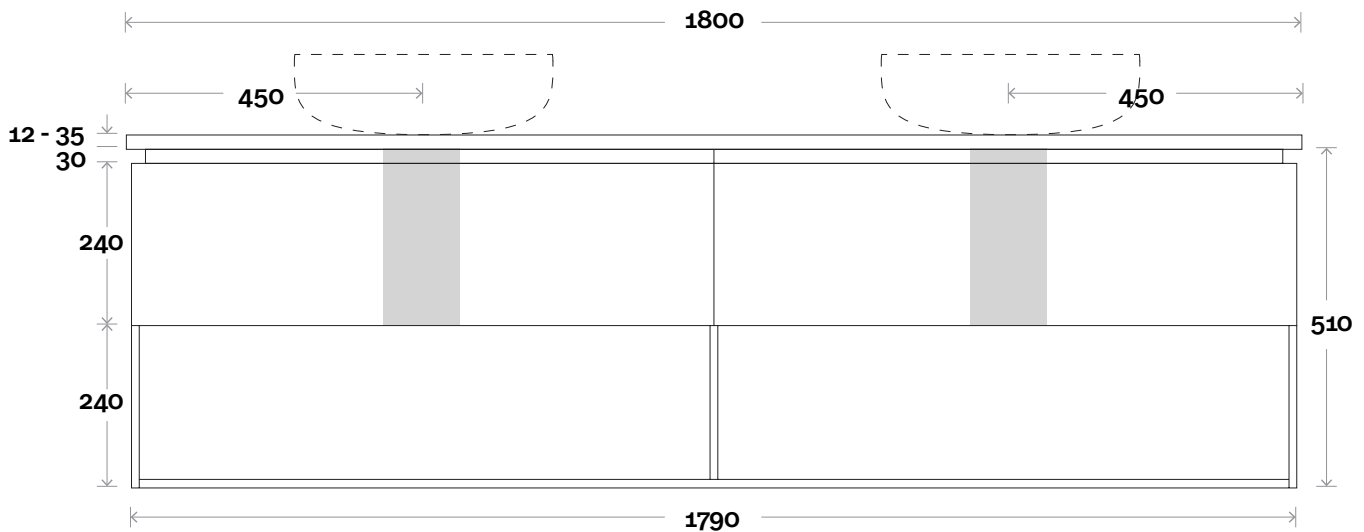
**Note:**  
 • Stone & Timber waste centre:  
 450mm std (may vary depending on basin)

 **Plumbing allowance**

## Profile



## Configuration



## Top Drawer Box

