

# Fullerton

Fullerton 1 600mm all drawer centre basin

**Top Thickness**  
 Casa Ceramic top: 20mm  
 Silestone: 20mm  
 Dekton: 12mm  
 Symphony: 20mm  
 Timber: 30-35mm  
 (Above counter only)

**Note:**  
 • Stone & Timber waste centre:  
 300mm std (may vary depending on basin)

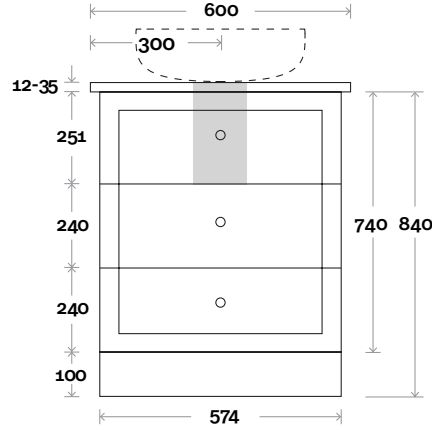
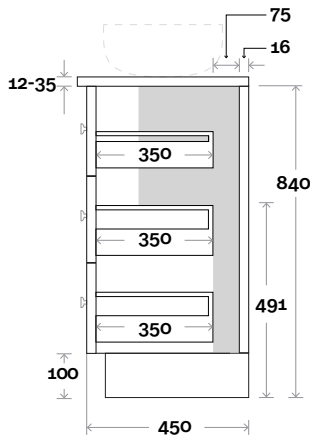


**Plumbing allowance**

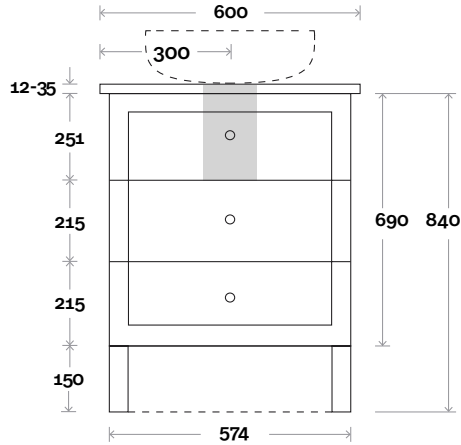
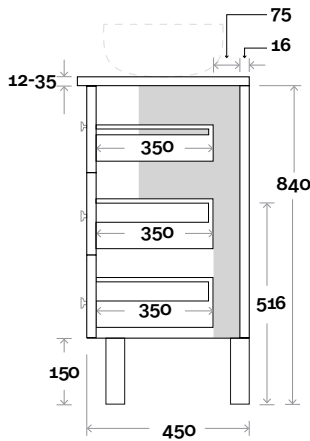
## Plumbing

## Configuration

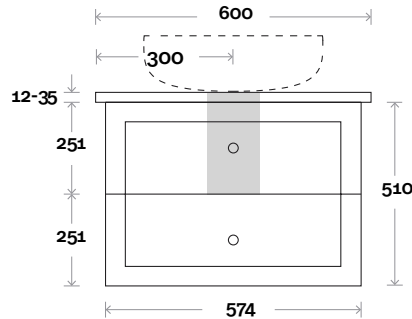
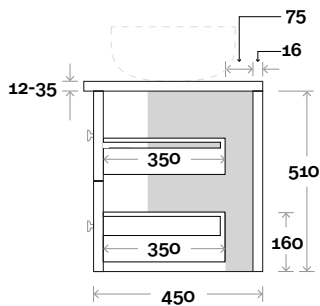
### Kick



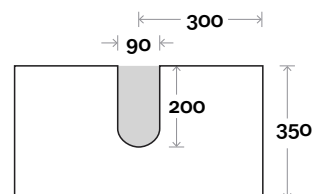
### Legs



### Wallmount



### Top Drawer Box



# Fullerton

Fullerton 2 600mm centre basin

**Top Thickness**  
 Casa Ceramic top: 20mm  
 Silestone: 20mm  
 Dekton: 12mm  
 Symphony: 20mm  
 Timber: 30-35mm  
 (Above counter only)

**Note:**  
 • Stone & Timber waste centre:  
 300mm std (may vary depending on basin)

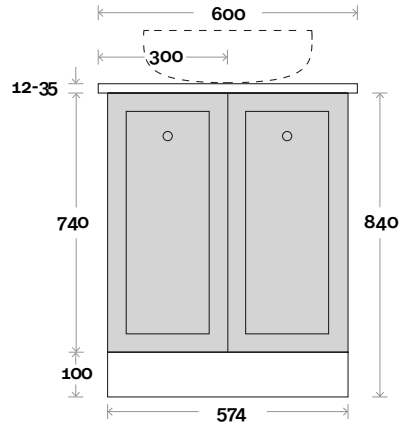
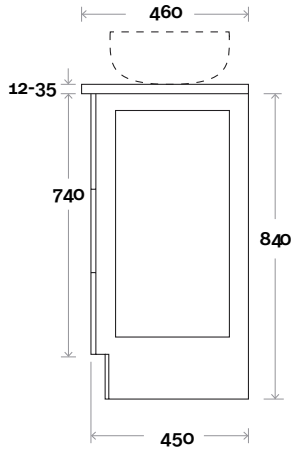


**Plumbing allowance**

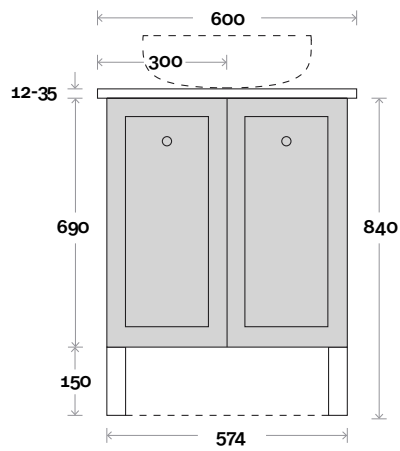
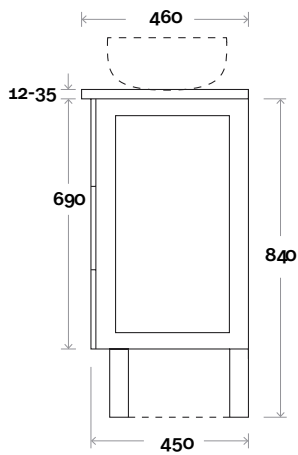
## Plumbing

## Configuration

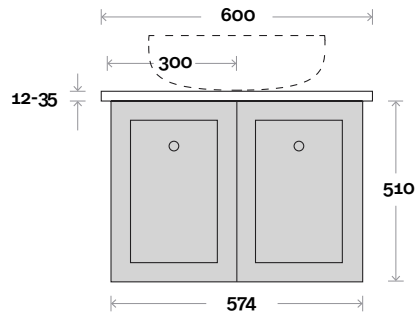
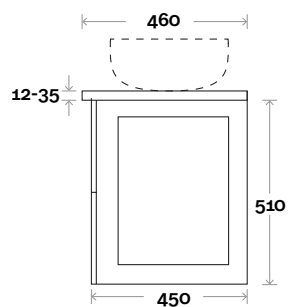
### Kick



### Legs



### Wallmount



# Fullerton

Fullerton 3 750mm all drawer centre basin

**Top Thickness**  
 Casa Ceramic top: 20mm  
 Silestone: 20mm  
 Dekton: 12mm  
 Symphony: 20mm  
 Timber: 30-35mm  
 (Above counter only)

**Note:**  
 • Stone & Timber waste centre:  
 375mm std (may vary depending on basin)

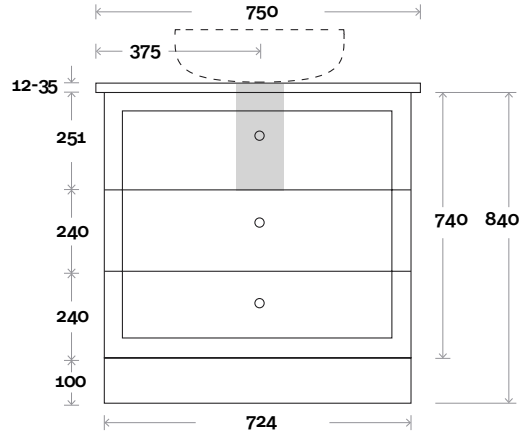
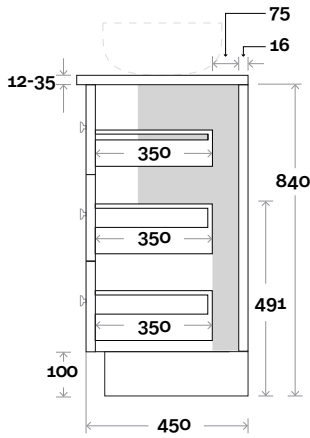


**Plumbing allowance**

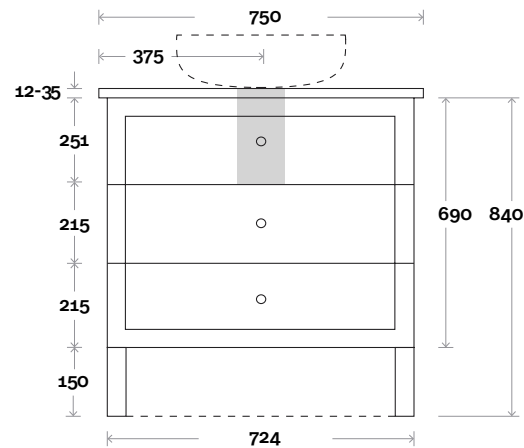
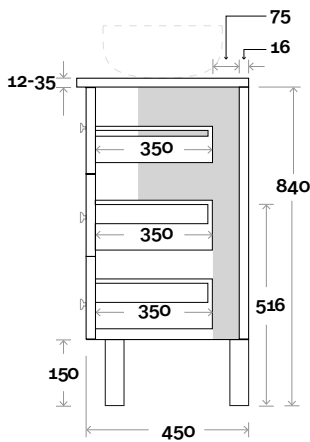
## Plumbing

## Configuration

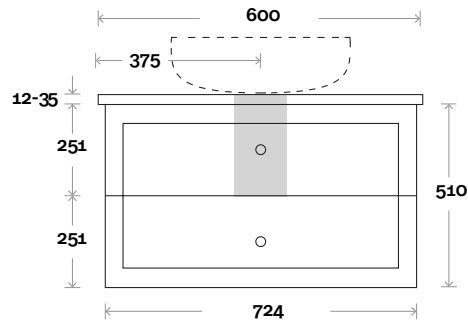
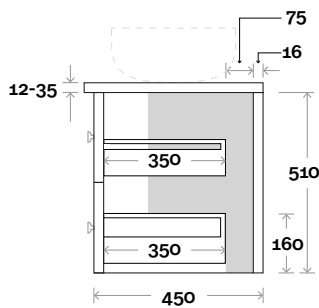
### Kick



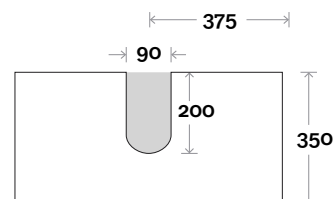
### Legs



### Wallmount



### Top Drawer Box



# Fullerton

Fullerton 4 750mm centre basin

**Top Thickness**  
 Casa Ceramic top: 20mm  
 Silestone: 20mm  
 Dekton: 12mm  
 Symphony: 20mm  
 Timber: 30-35mm  
 (Above counter only)

**Note:**  
 • Stone & Timber waste centre:  
 375mm std (may vary depending on basin)

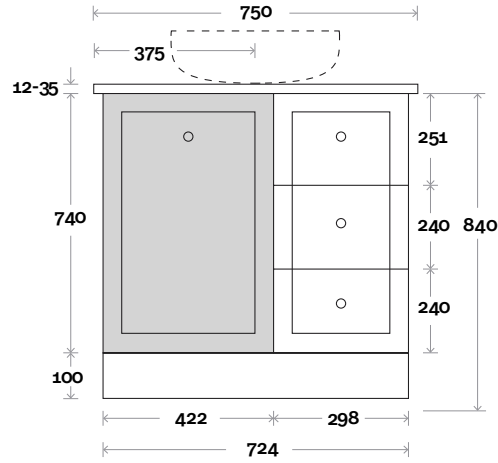
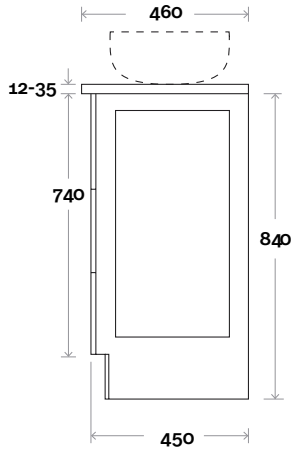


**Plumbing allowance**

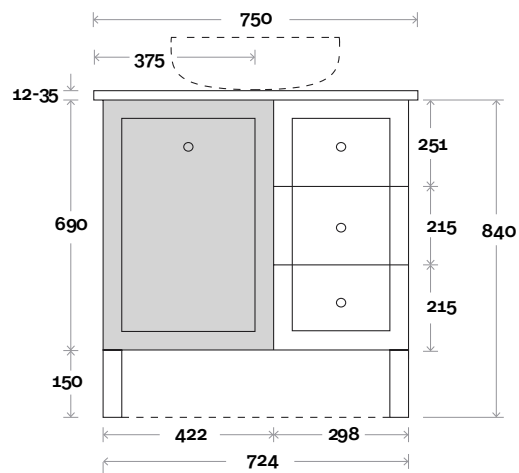
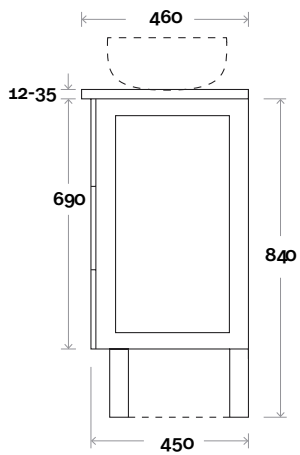
## Plumbing

## Configuration

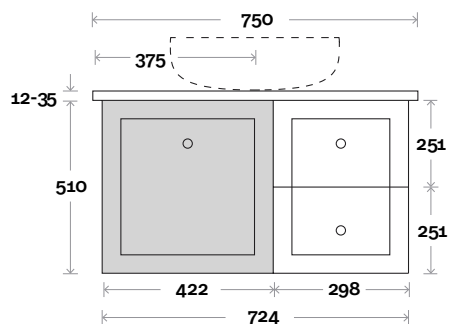
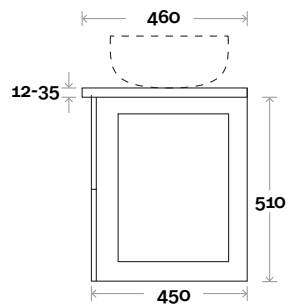
### Kick



### Legs



### Wallmount



# Fullerton

Fullerton 5 900mm all drawer centre basin

**Top Thickness**  
 Casa Ceramic top: 20mm  
 Silestone: 20mm  
 Dekton: 12mm  
 Symphony: 20mm  
 Timber: 30-35mm  
 (Above counter only)

**Note:**  
 • Stone & Timber waste centre:  
 450mm std (may vary depending on basin)

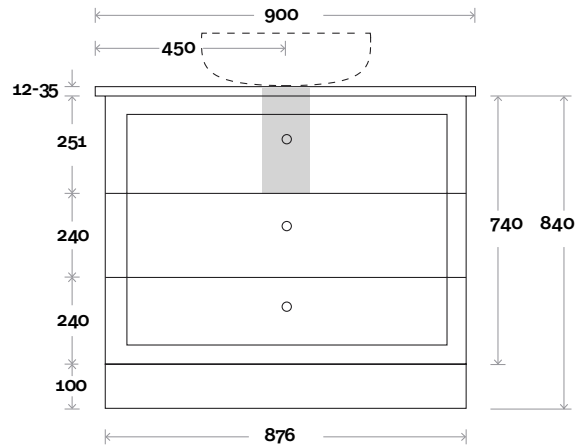
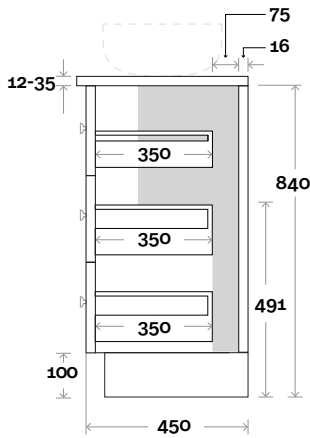


**Plumbing allowance**

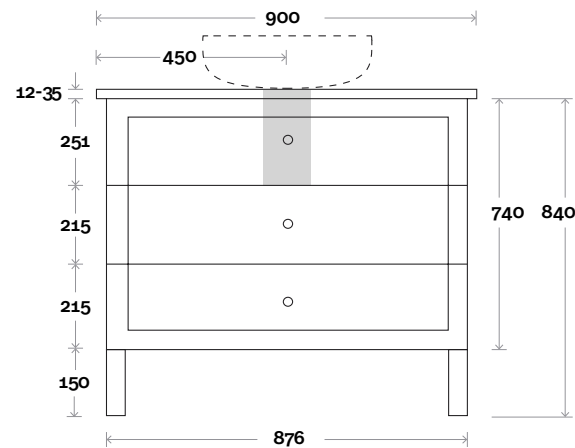
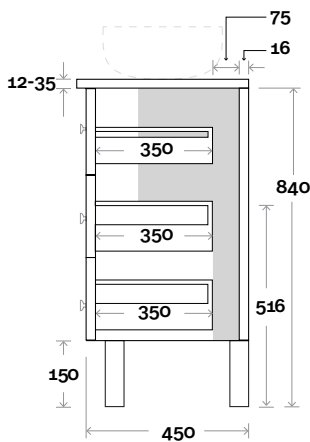
## Plumbing

## Configuration

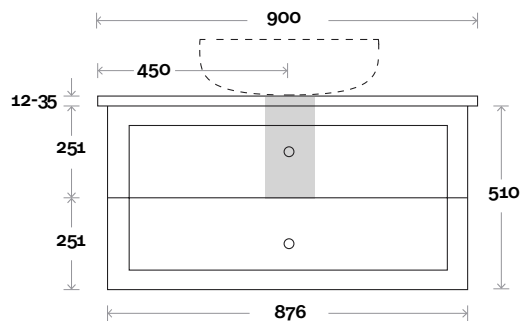
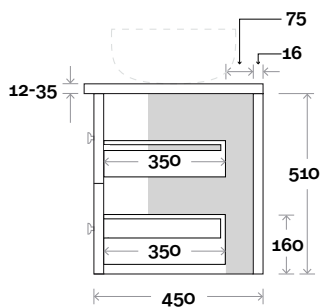
### Kick



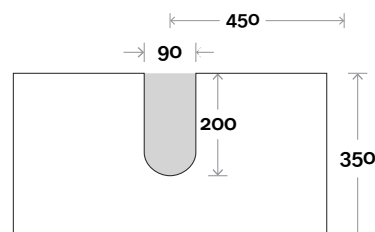
### Legs



### Wallmount



### Top Drawer Box



# Fullerton

Fullerton 6 900mm centre basin

**Top Thickness**  
 Casa Ceramic top: 20mm  
 Silestone: 20mm  
 Dekton: 12mm  
 Symphony: 20mm  
 Timber: 30-35mm  
 (Above counter only)

**Note:**  
 • Stone & Timber waste centre:  
 450mm std (may vary depending on basin)

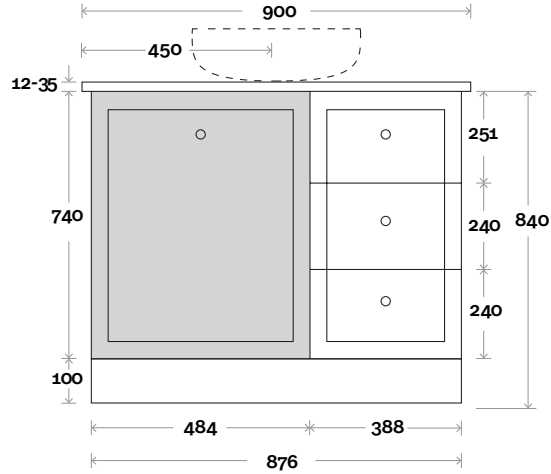
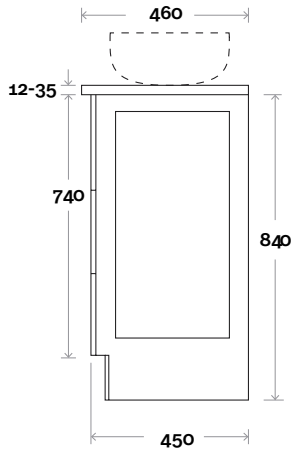


**Plumbing allowance**

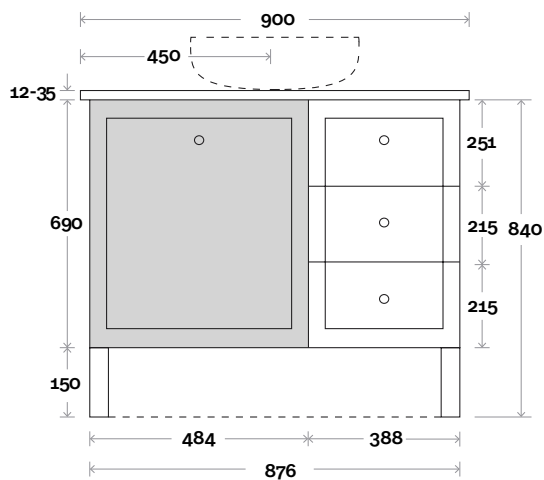
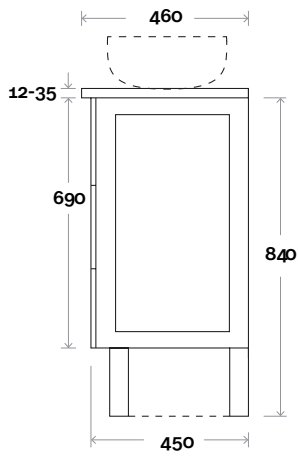
## Plumbing

## Configuration

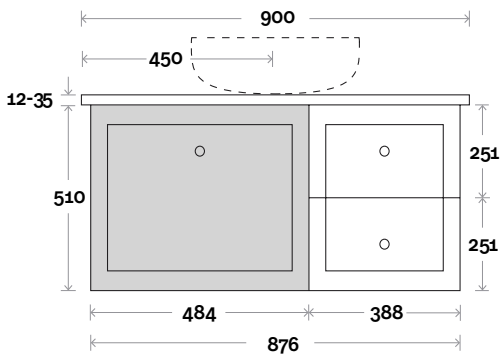
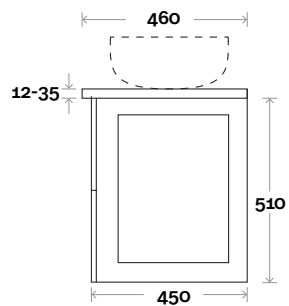
### Kick



### Legs



### Wallmount



# Fullerton

Fullerton 7 900mm off centre basin

**Top Thickness**  
 Casa Ceramic top: 20mm  
 Silestone: 20mm  
 Dekton: 12mm  
 Symphony: 20mm  
 Timber: 30-35mm  
 (Above counter only)

**Note:**  
 • Stone & Timber waste centre:  
 300mm std (may vary depending on basin)

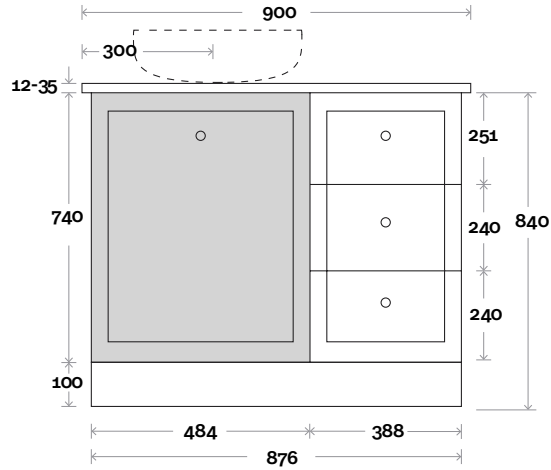
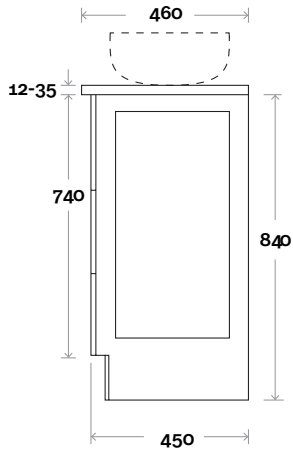


**Plumbing allowance**

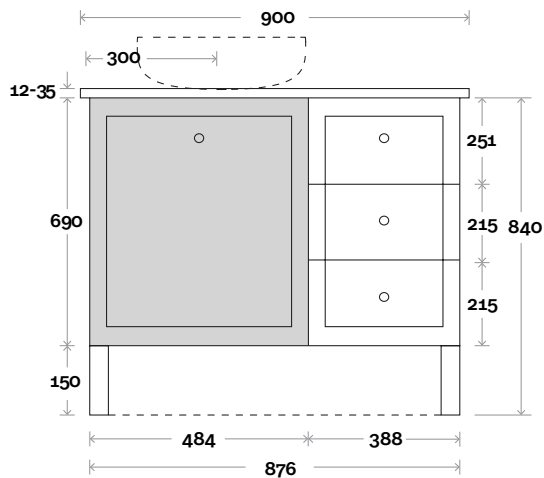
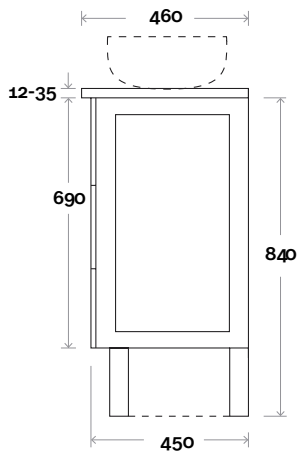
## Plumbing

## Configuration

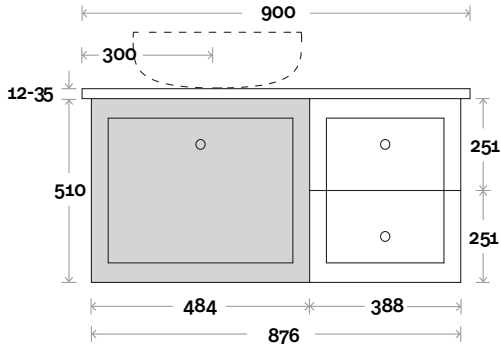
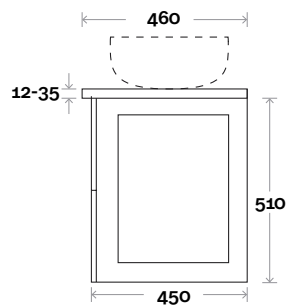
### Kick



### Legs



### Wallmount



# Fullerton

Fullerton 8 1200mm all drawer centre basin

**Top Thickness**  
 Casa Ceramic top: 20mm  
 Silestone: 20mm  
 Dekton: 12mm  
 Symphony: 20mm  
 Timber: 30-35mm  
 (Above counter only)

**Note:**  
 • Stone & Timber waste centre:  
 600mm Std (may vary depending on basin)

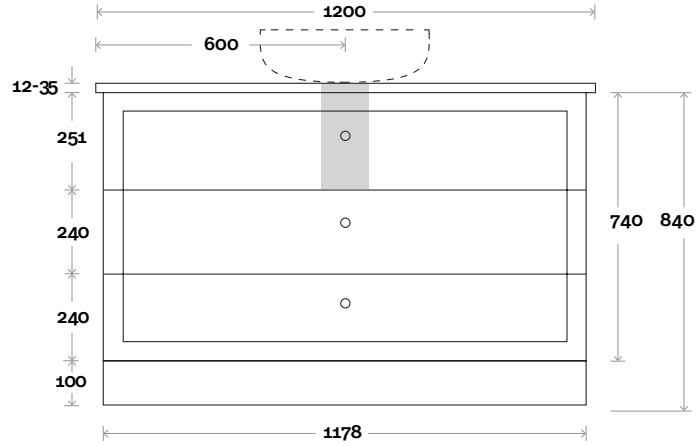
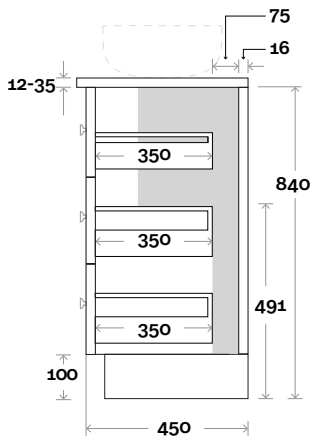


**Plumbing allowance**

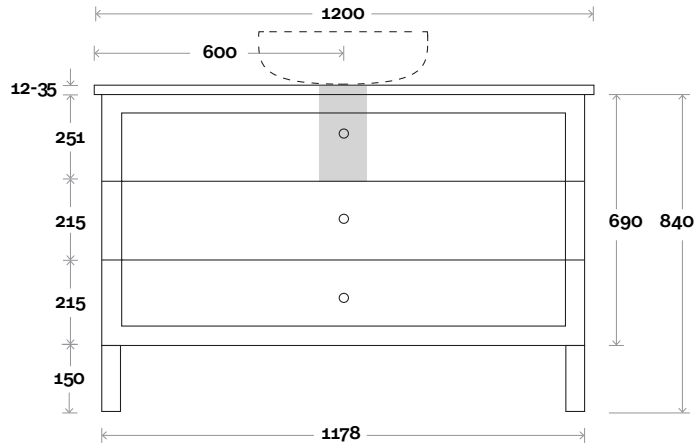
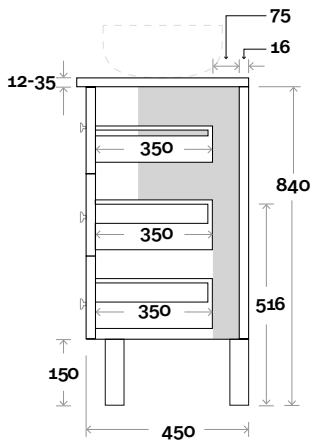
## Plumbing

## Configuration

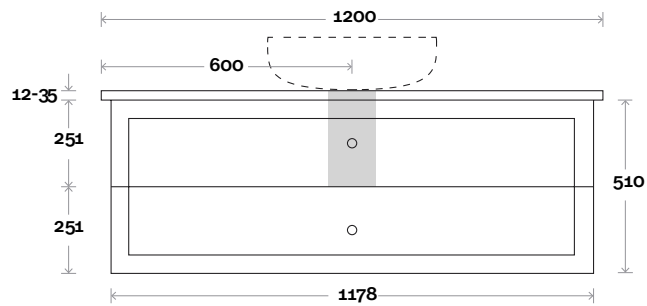
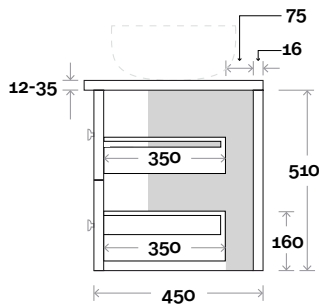
### Kick



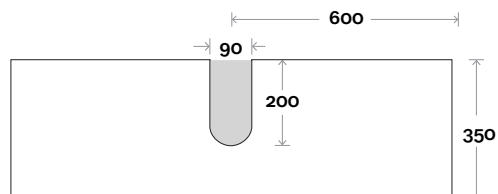
### Legs



### Wallmount



### Top Drawer Box





# Fullerton

Fullerton 9 1200mm all drawer double basin

**Top Thickness**

- Silestone: 20mm
- Dekton: 12mm
- Symphony: 20mm
- Timber: 30-35mm  
(Above counter only)

**Note:**

- Stone & Timber waste centre:  
300mm std (may vary depending on basin)

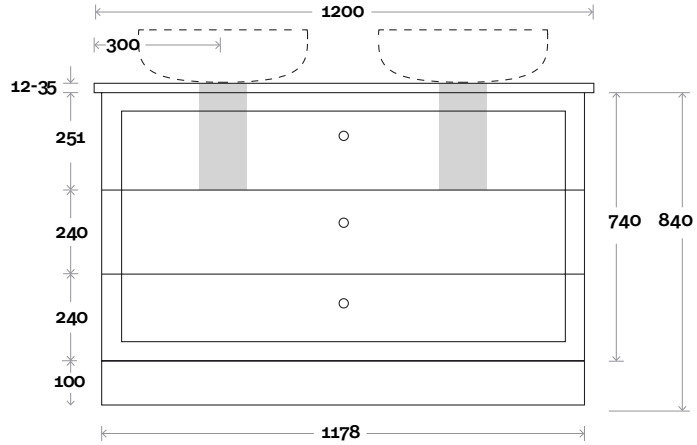
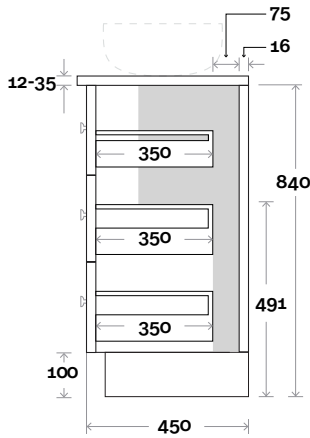


**Plumbing allowance**

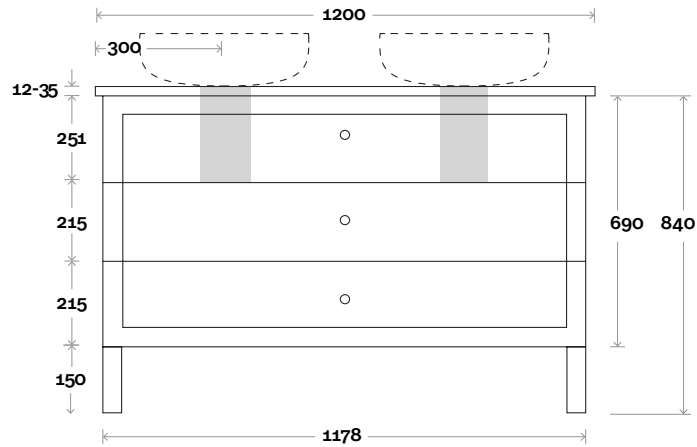
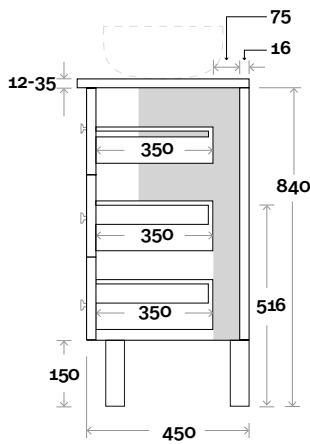
## Plumbing

## Configuration

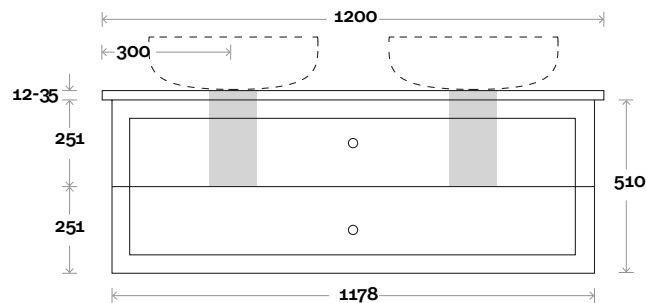
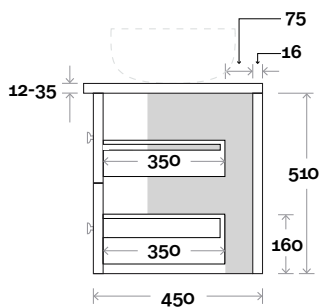
### Kick



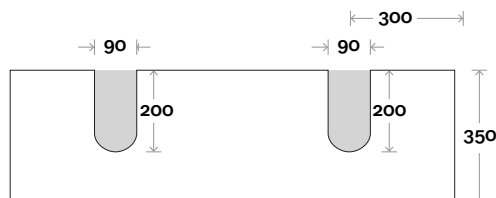
### Legs



### Wallmount



### Top Drawer Box



# Fullerton

Fullerton 10 1200mm centre basin

**Top Thickness**  
 Casa Ceramic top: 20mm  
 Silestone: 20mm  
 Dekton: 12mm  
 Symphony: 20mm  
 Timber: 30-35mm  
 (Above counter only)

**Note:**  
 • Stone & Timber waste centre:  
 600mm Std (may vary depending on basin)

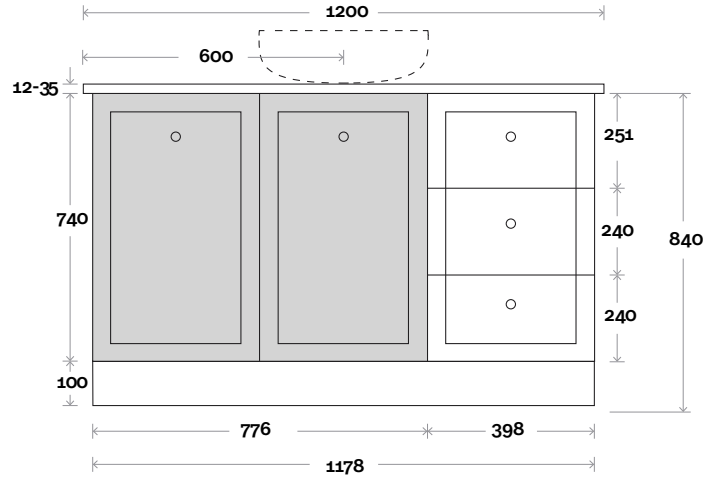
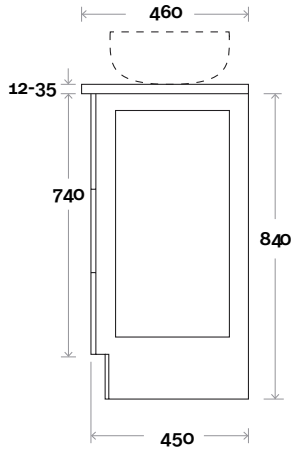


**Plumbing allowance**

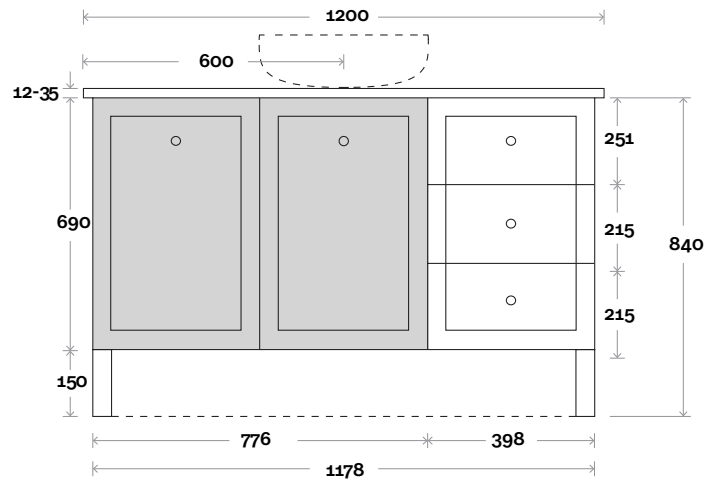
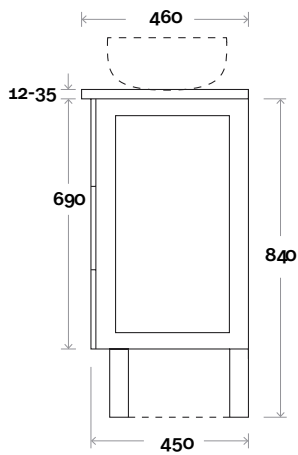
## Plumbing

## Configuration

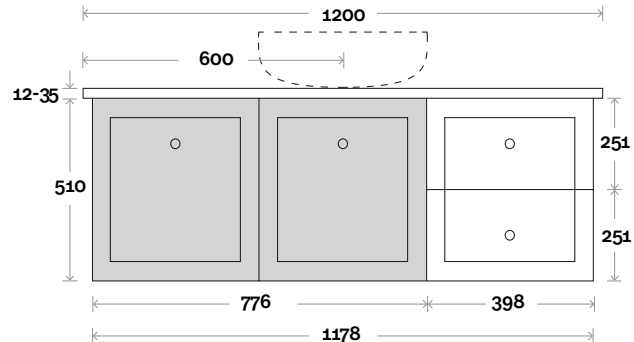
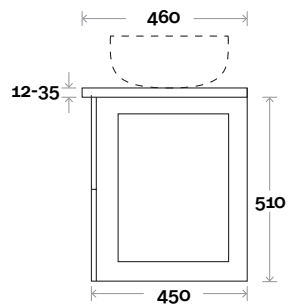
### Kick



### Legs



### Wallmount



# Fullerton

Fullerton 11 1200mm off centre basin

### Top Thickness

- Silestone: 20mm
- Dekton: 12mm
- Symphony: 20mm
- Timber: 30-35mm  
(Above counter only)

### Note:

- Stone & Timber waste centre:  
300mm std (may vary depending on basin)

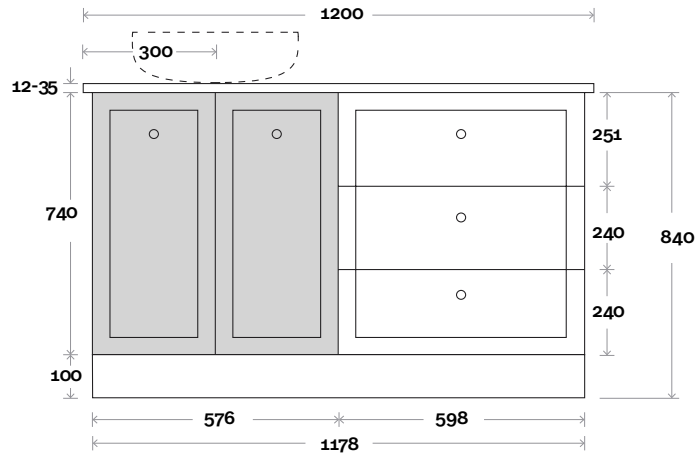
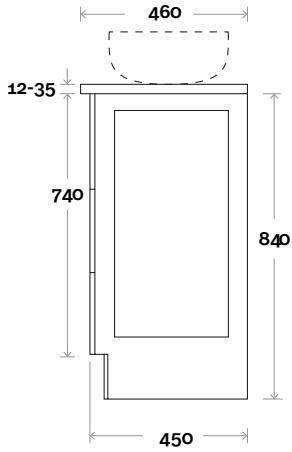


Plumbing allowance

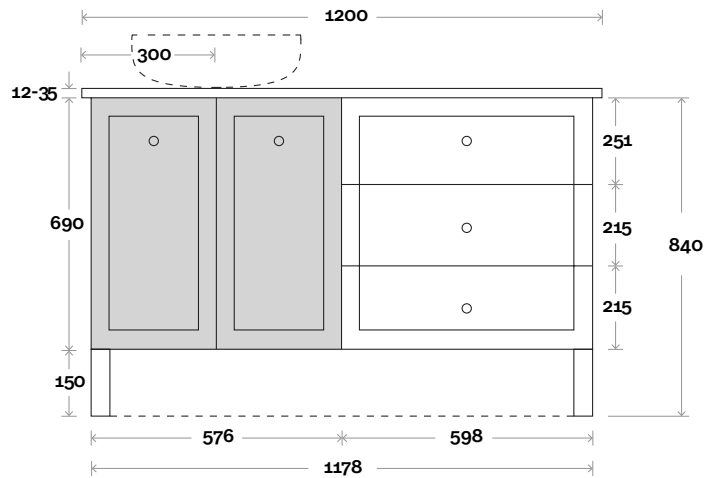
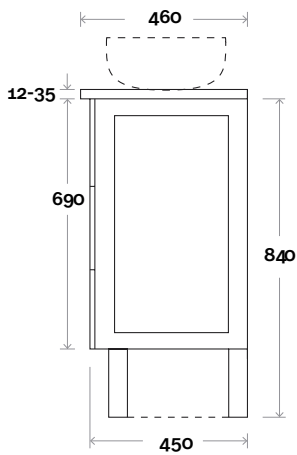
## Plumbing

## Configuration

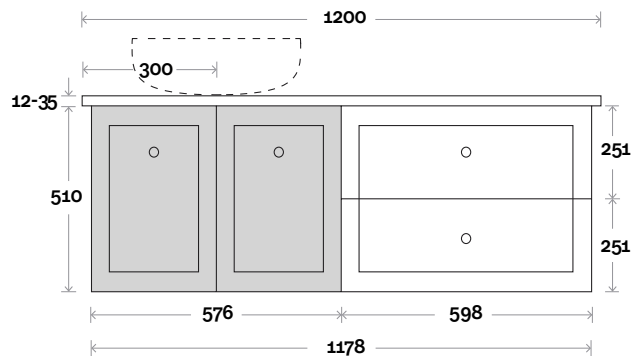
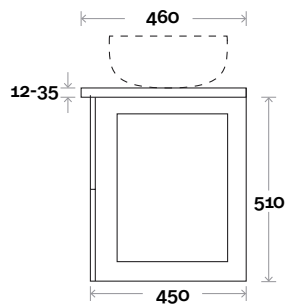
### Kick



### Legs



### Wallmount



# Fullerton

Fullerton 12 1200mm double centre basin

### Top Thickness

- Silestone: 20mm
- Dekton: 12mm
- Symphony: 20mm
- Timber: 30-35mm  
(Above counter only)

### Note:

- Stone & Timber waste centre:  
300mm std (may vary depending on basin)

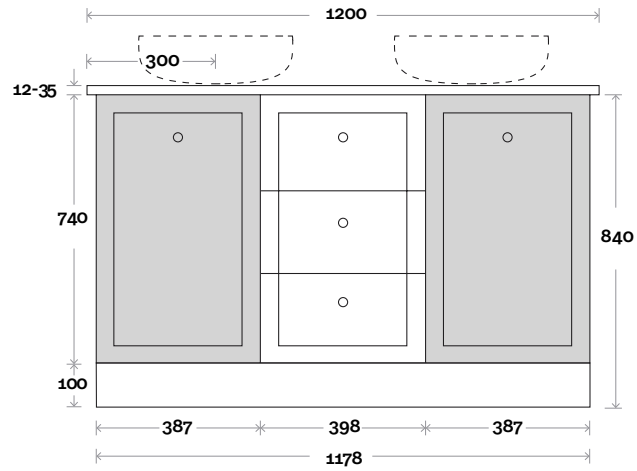
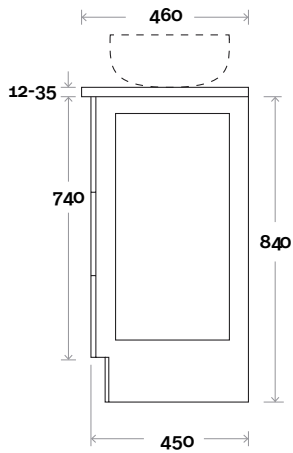


Plumbing allowance

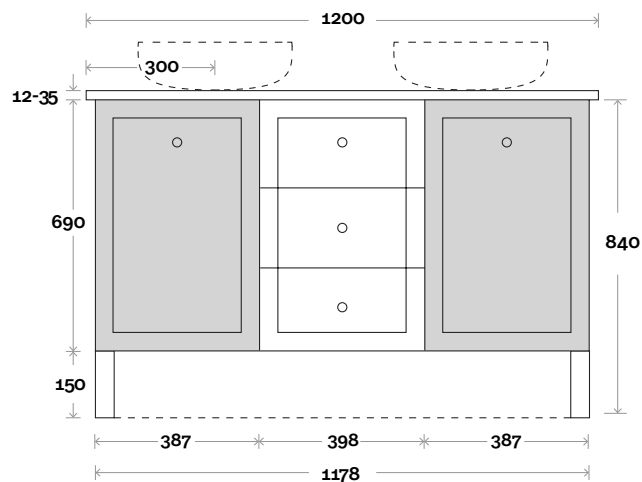
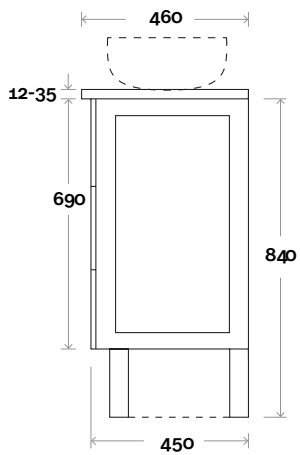
## Plumbing

## Configuration

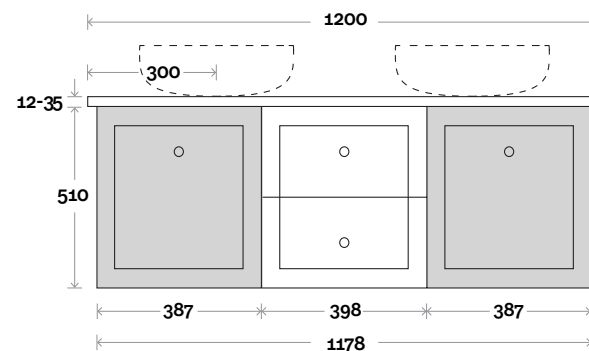
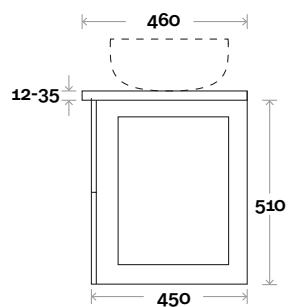
### Kick



### Legs



### Wallmount



# Fullerton

Fullerton 13 1500mm all drawer single basin

### Top Thickness

Silestone: 20mm  
 Dekton: 12mm  
 Symphony: 20mm  
 Timber: 30-35mm  
 (Above counter only)

### Note:

• Stone & Timber waste centre:  
 750mm std (may vary depending on basin)

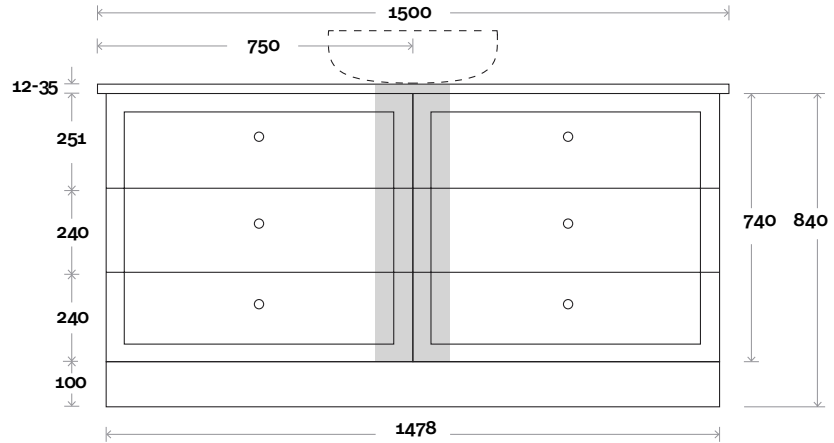
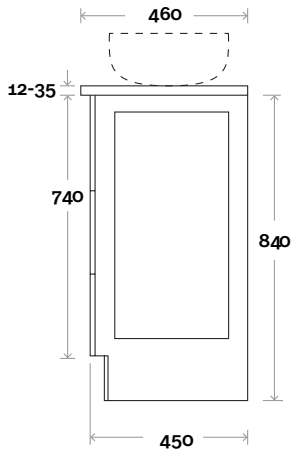


Plumbing allowance

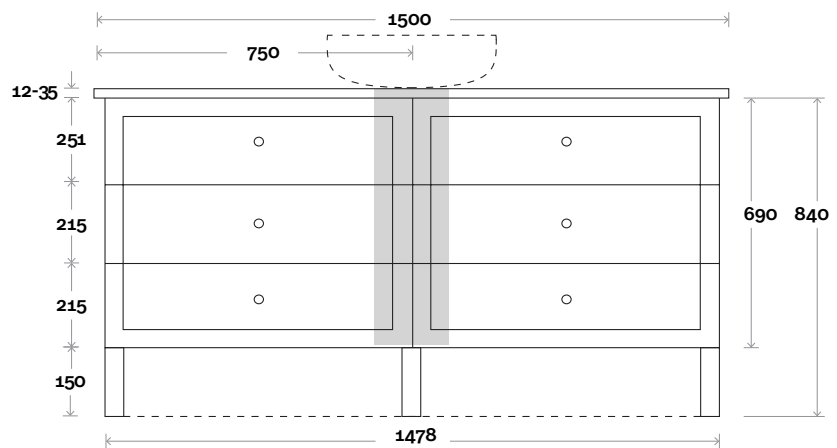
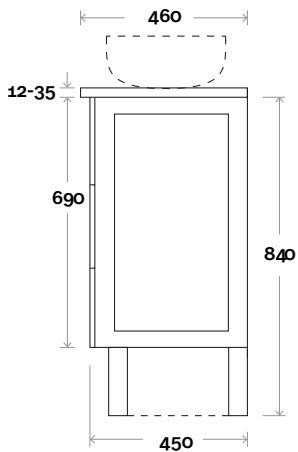
## Plumbing

## Configuration

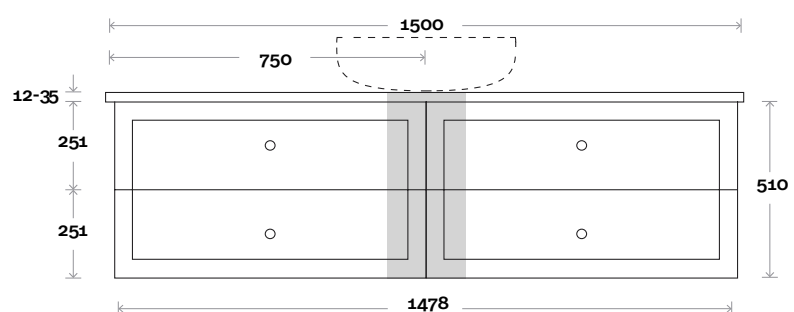
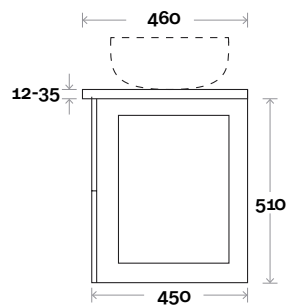
### Kick



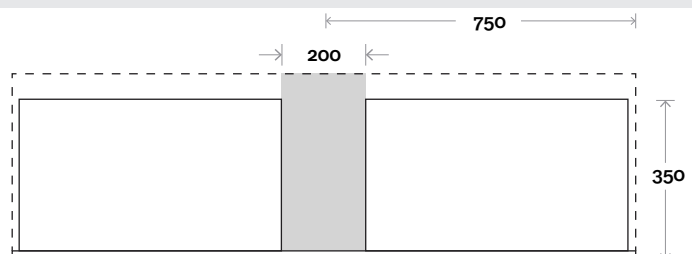
### Legs



### Wallmount



### Top Drawer Box



# Fullerton

**Top Thickness**  
 Silestone: 20mm  
 Dekton: 12mm  
 Symphony: 20mm  
 Timber: 30-35mm  
 (Above counter only)

**Note:**  
 • Stone & Timber waste centre:  
 375mm std (may vary depending on basin)



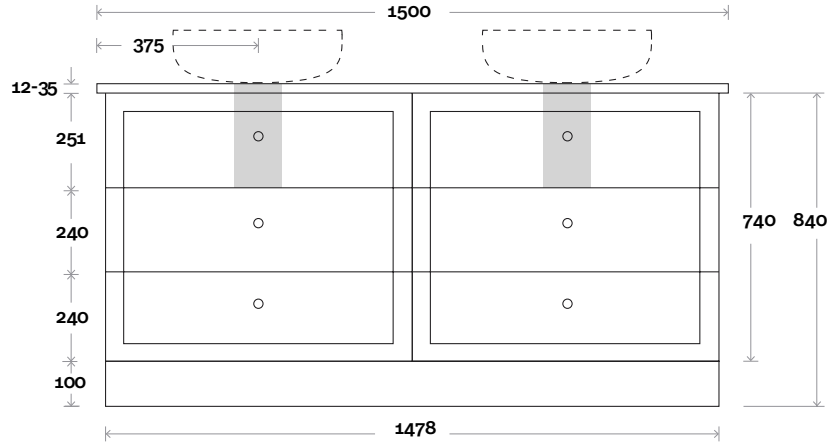
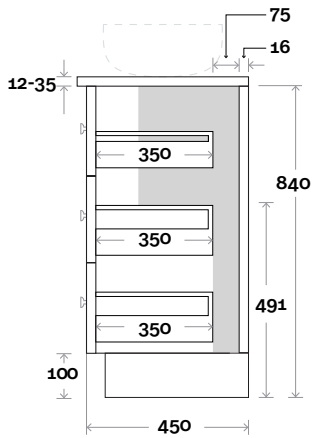
**Plumbing allowance**

## Fullerton 14 1500mm all drawer double basin

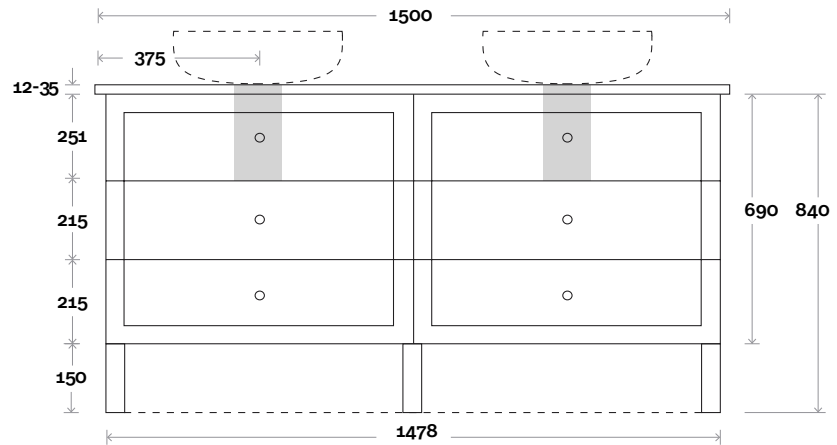
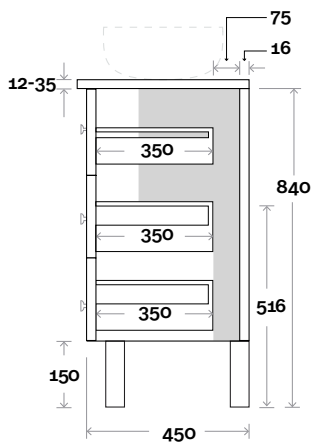
### Plumbing

### Configuration

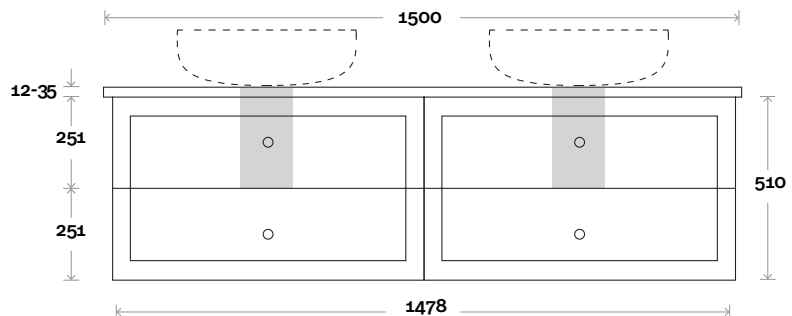
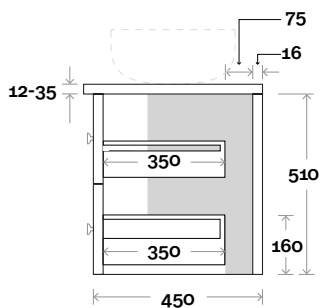
#### Kick



#### Legs



#### Wallmount



#### Top Drawer Box



# Fullerton

Fullerton 15 1500mm centre basin

**Top Thickness**  
 Silestone: 20mm  
 Dekton: 12mm  
 Symphony: 20mm  
 Timber: 30-35mm  
 (Above counter only)

**Note:**  
 • Stone & Timber waste centre:  
 750mm std (may vary depending on basin)

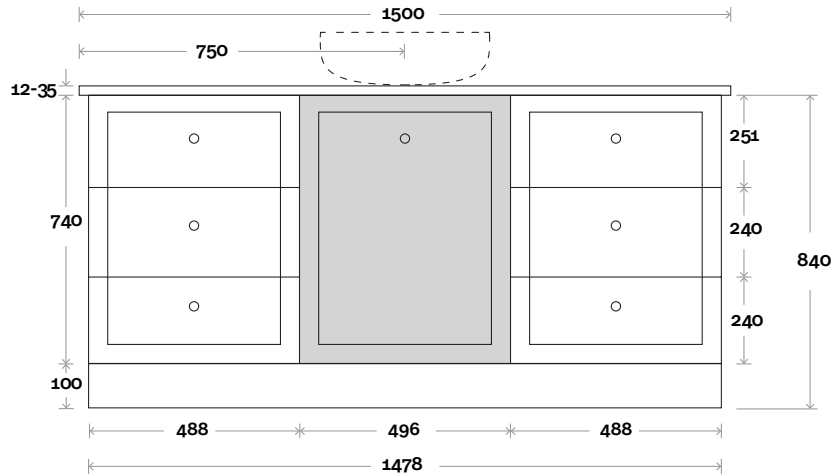
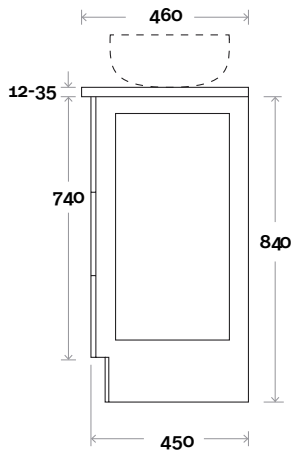


**Plumbing allowance**

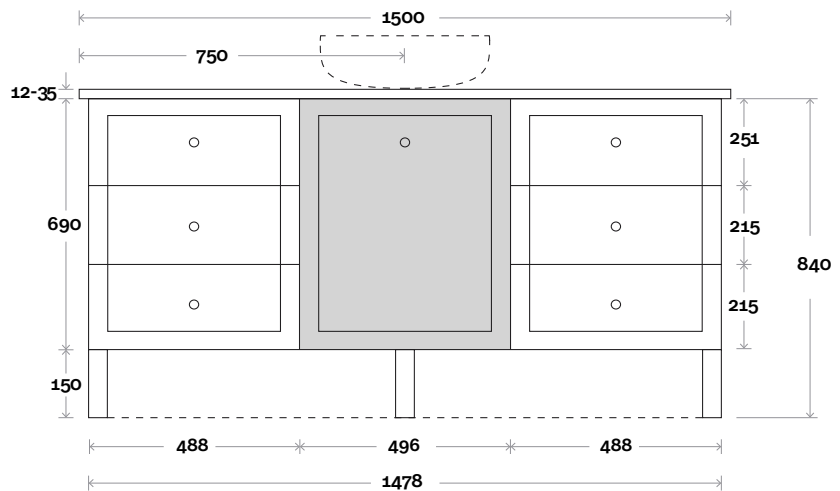
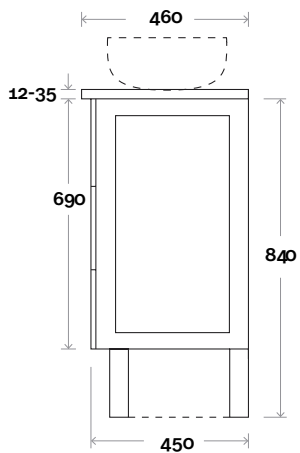
## Plumbing

## Configuration

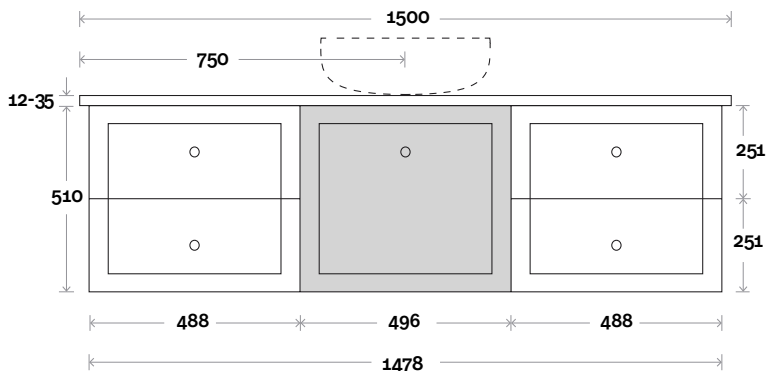
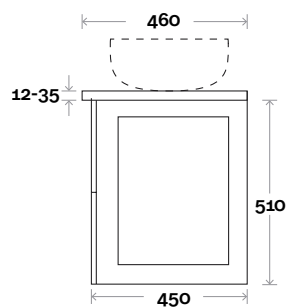
Kick



Legs



Wallmount



# Fullerton

Fullerton 16 1500mm double basin

**Top Thickness**  
 Silestone: 20mm  
 Dekton: 12mm  
 Symphony: 20mm  
 Timber: 30-35mm  
 (Above counter only)

**Note:**  
 • Stone & Timber waste centre:  
 375mm std (may vary depending on basin)

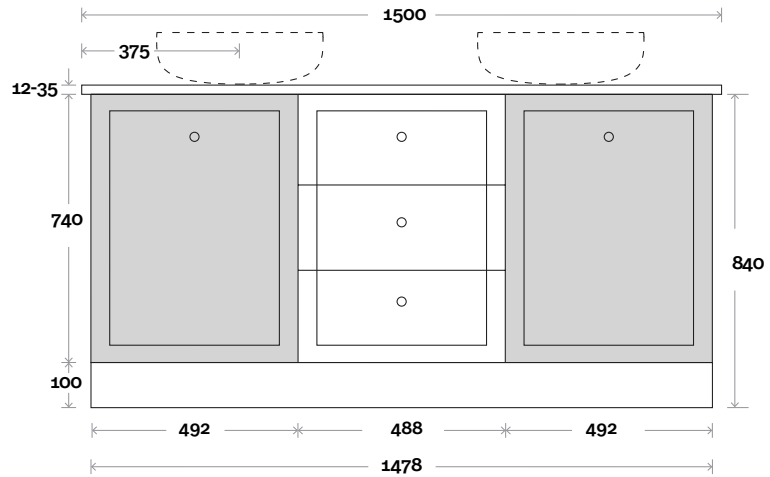
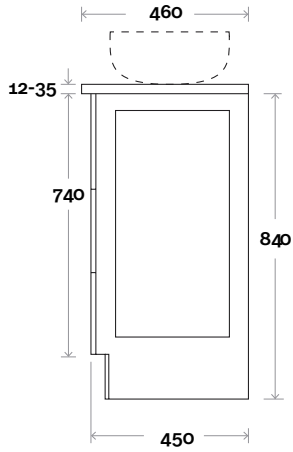


**Plumbing allowance**

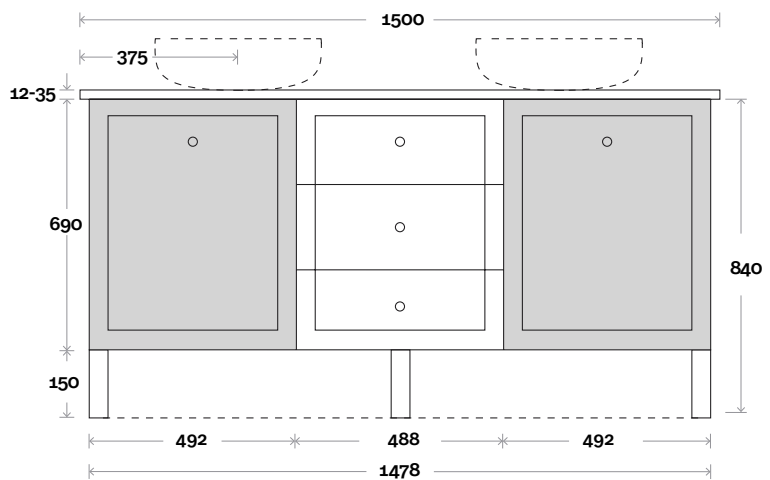
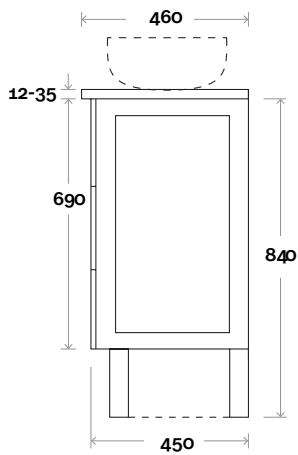
## Plumbing

## Configuration

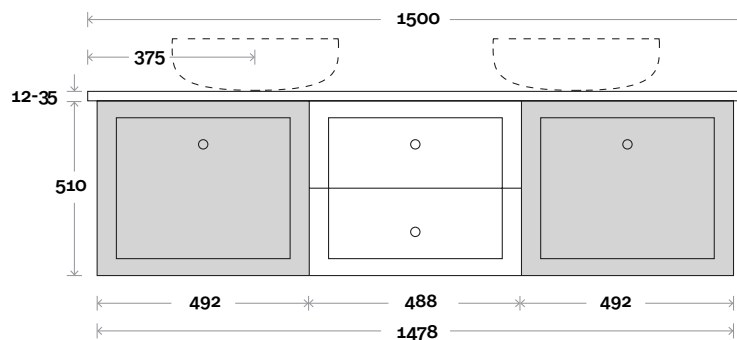
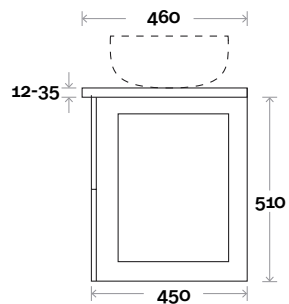
Kick



Legs



Wallmount





# Fullerton

Fullerton 17 1800mm all drawer centre basin

### Top Thickness

- Silestone: 20mm
- Dekton: 12mm
- Symphony: 20mm
- Timber: 30-35mm  
(Above counter only)

### Note:

- Stone & Timber waste centre: 900mm std (may vary depending on basin)

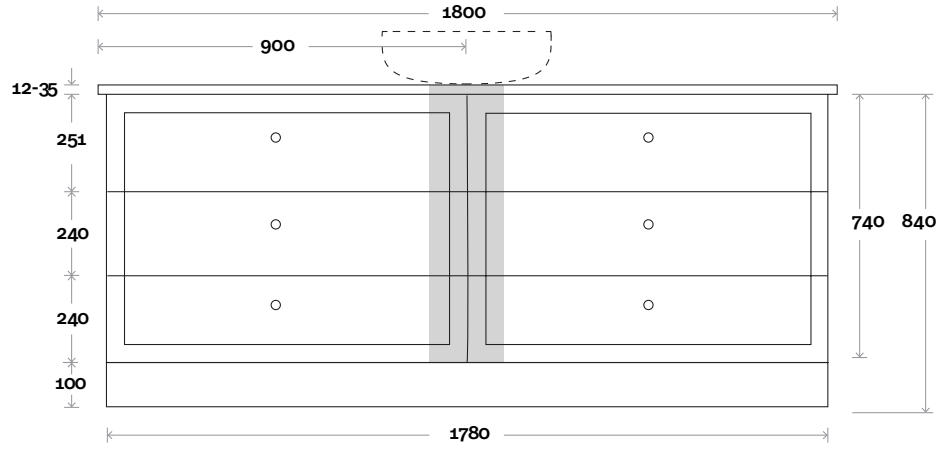
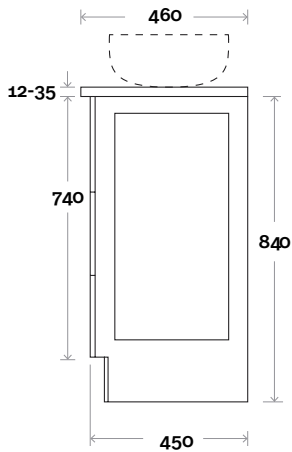


Plumbing allowance

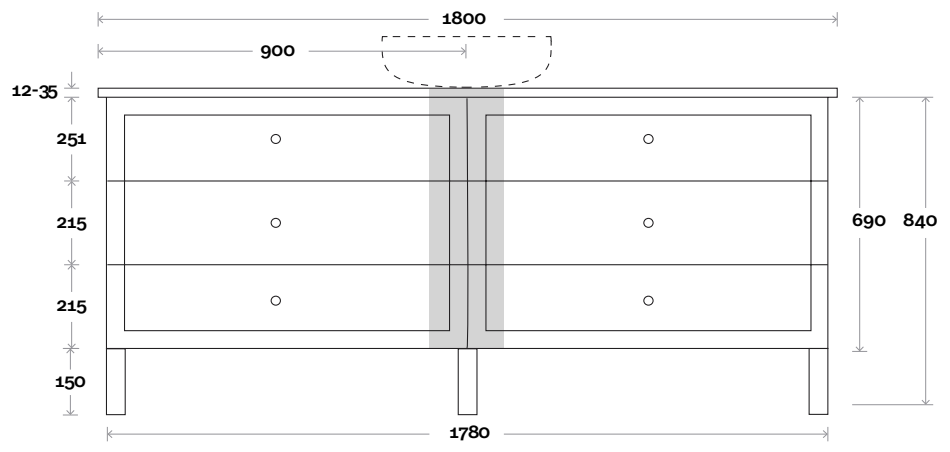
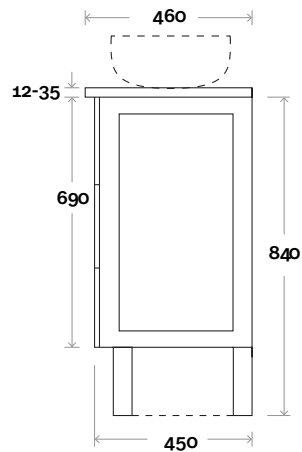
## Plumbing

## Configuration

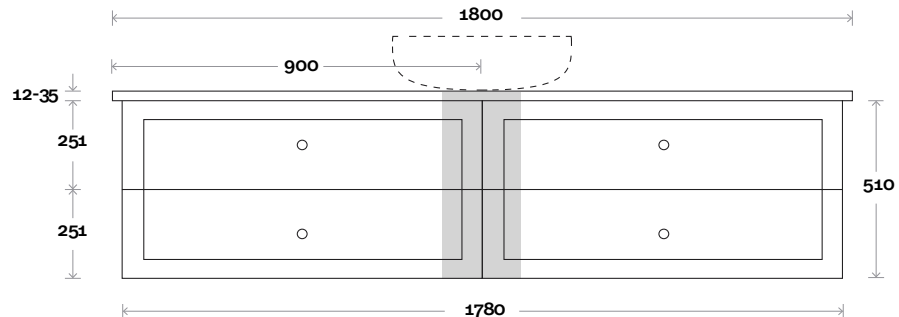
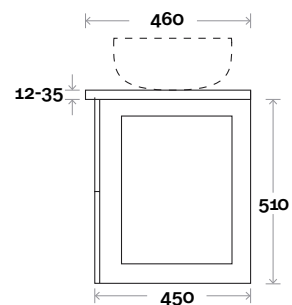
### Kick



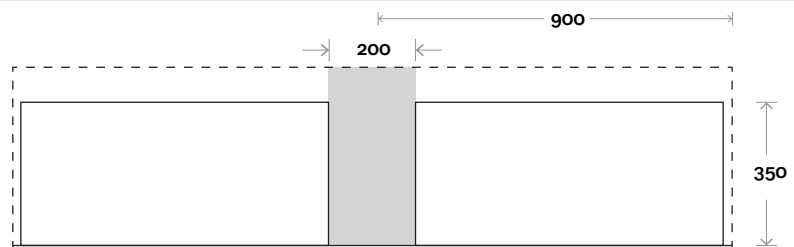
### Legs



### Wallmount



### Top Drawer Box



# Fullerton

Fullerton 18 1800mm all drawer double basin

### Top Thickness

- Silestone: 20mm
- Dekton: 12mm
- Symphony: 20mm
- Timber: 30-35mm  
(Above counter only)

### Note:

- Stone & Timber waste centre:  
450mm std (may vary depending on basin)

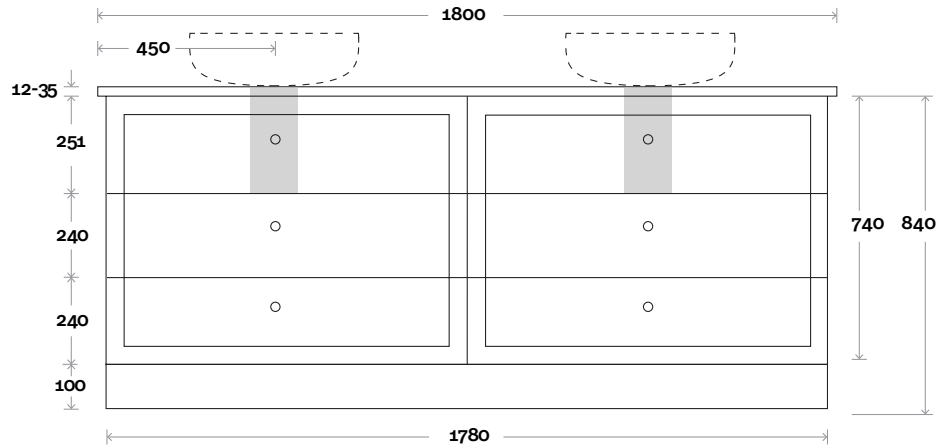
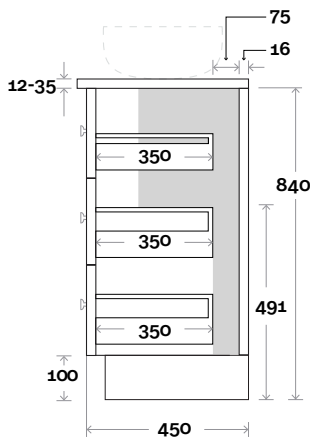


Plumbing allowance

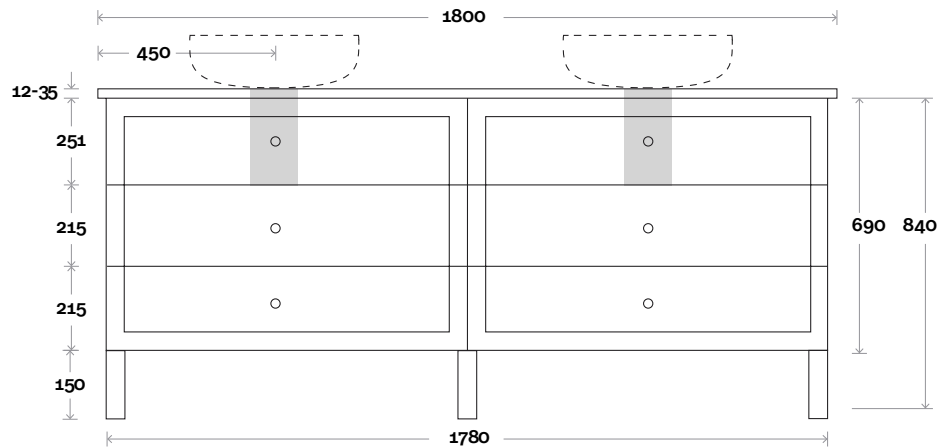
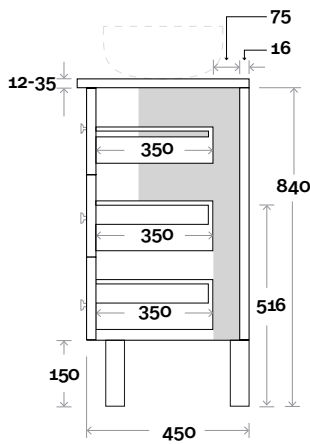
## Plumbing

## Configuration

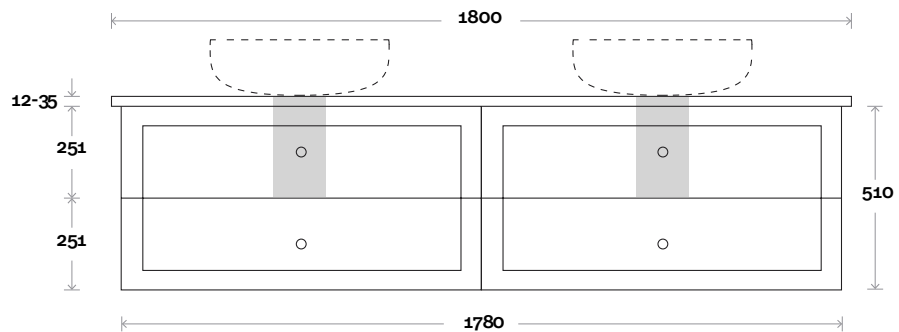
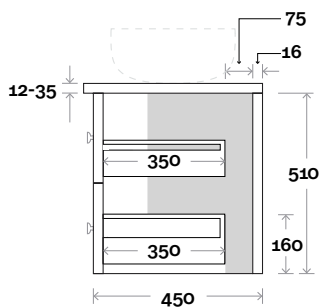
### Kick



### Legs



### Wallmount



### Top Drawer Box



# Fullerton

Fullerton 19 1800mm centre basin

### Top Thickness

- Silestone: 20mm
- Dekton: 12mm
- Symphony: 20mm
- Timber: 30-35mm  
(Above counter only)

### Note:

- Stone & Timber waste centre: 900mm std (may vary depending on basin)

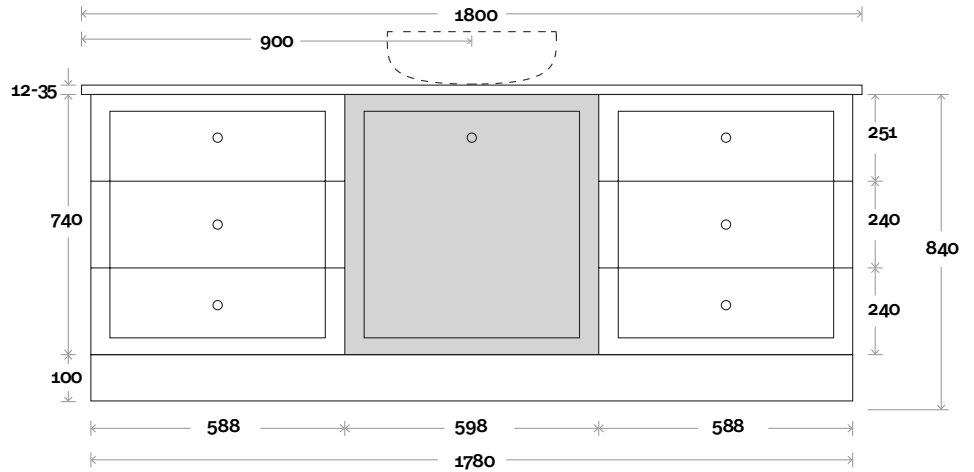
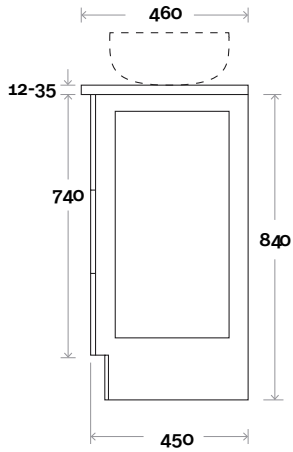


Plumbing allowance

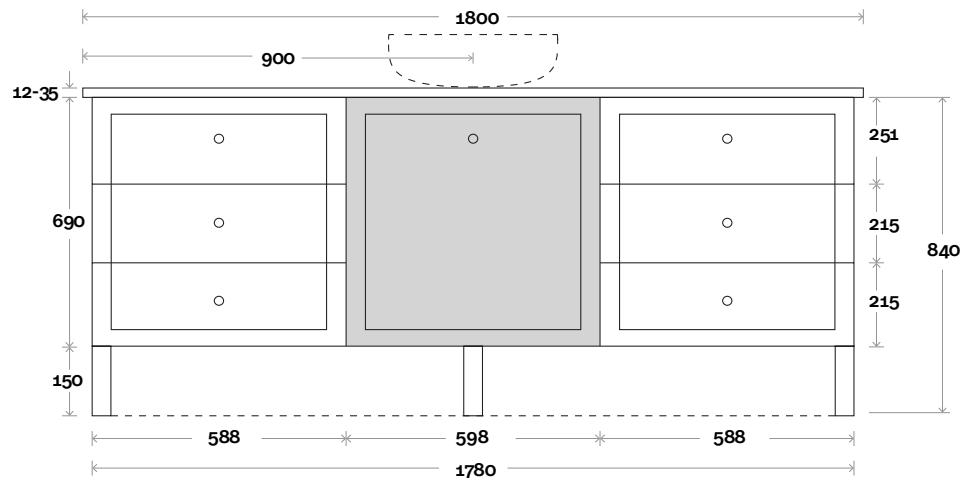
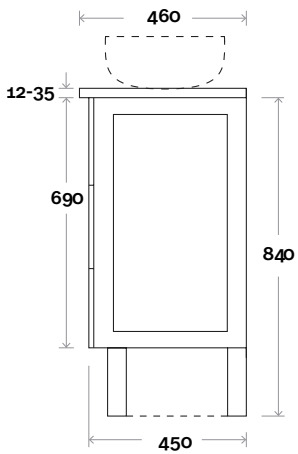
## Profile

## Configuration

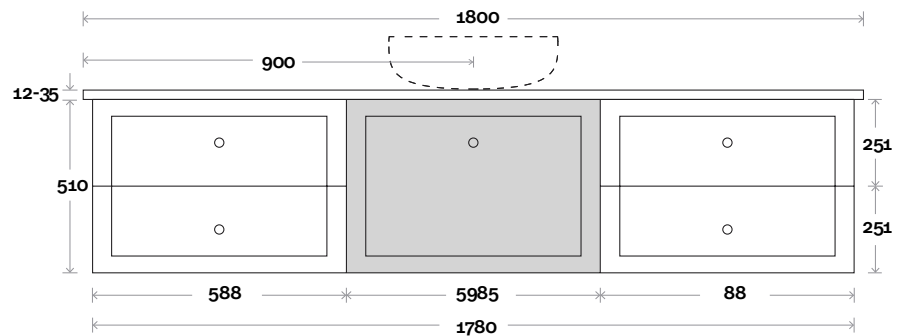
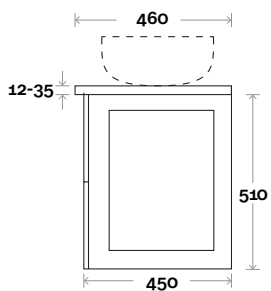
### Kick



### Legs



### Wallmount



# Fullerton

Fullerton 20 1800mm double basin

**Top Thickness**

- Silestone: 20mm
- Dekton: 12mm
- Symphony: 20mm
- Timber: 30-35mm  
(Above counter only)

**Note:**

- Stone & Timber waste centre:  
450mm std (may vary depending on basin)

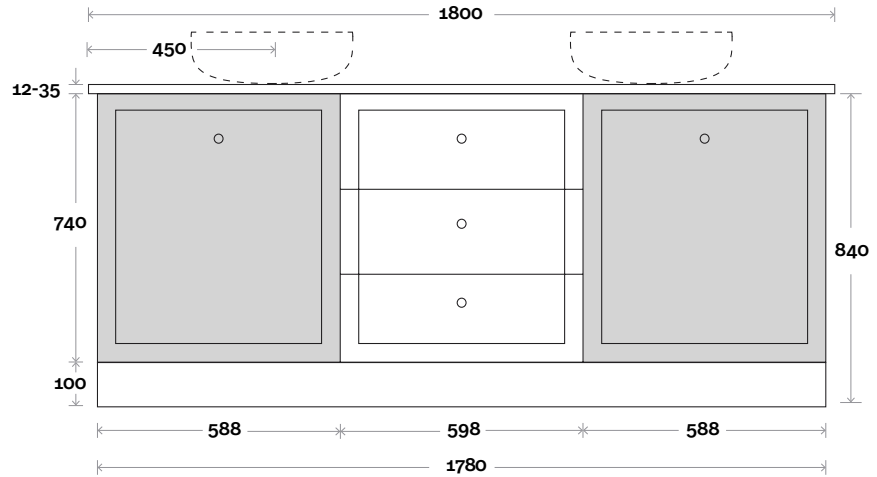
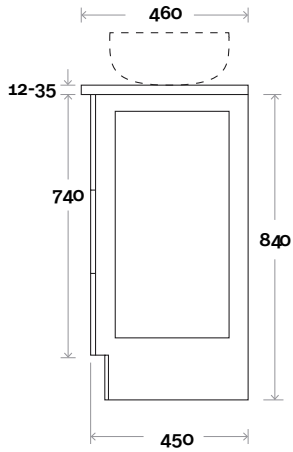


**Plumbing allowance**

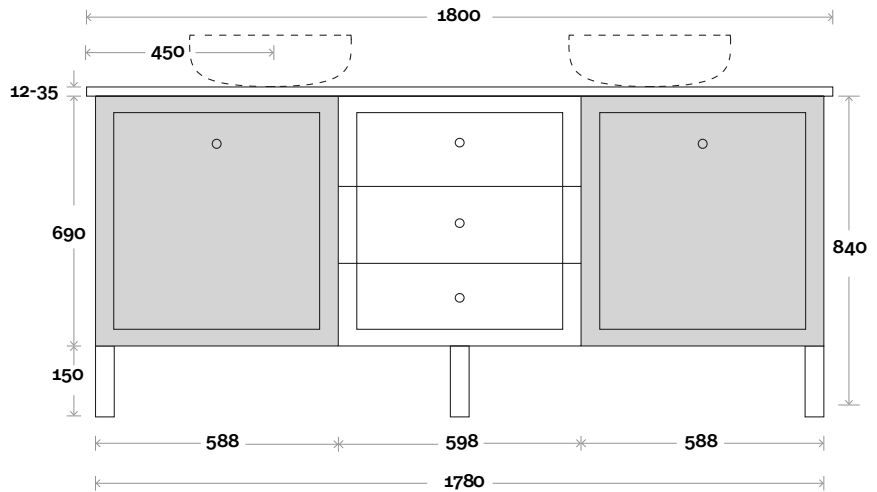
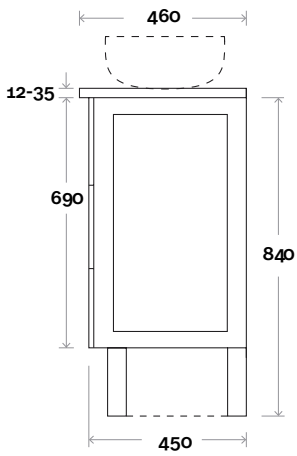
## Profile

## Configuration

### Kick



### Legs



### Wallmount

