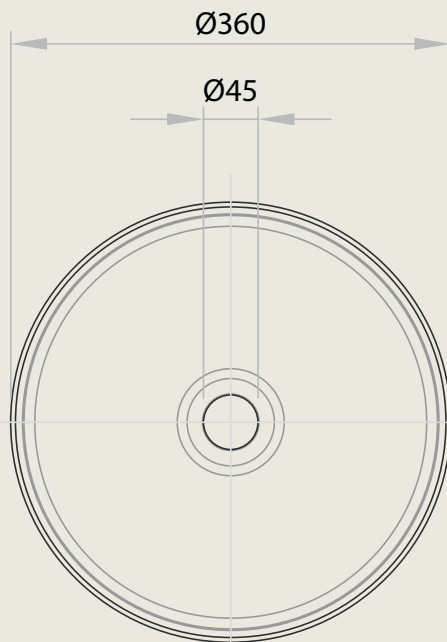


MARQUIS



TOP VIEW

SIDE VIEW



Standard waste hole cutout diameter - 100mm

Forge Brushed Gold

The stunning Forge basin range by Marquis is available for a **\$300 Surcharge with vanity purchase**. If you prefer a custom above counter basin, we can accommodate your request with cutouts. Additionally, the Forge basin range is also available for individual purchase without the vanity (price shown).

\$760RRP inc GST (as shown)

All measurements are in 'mm' and are approximate and to be used as a guide only. Installation preparations are not recommended without product onsite. Variations of +/- 5mm are common in ceramic products. Please allow for such variations.