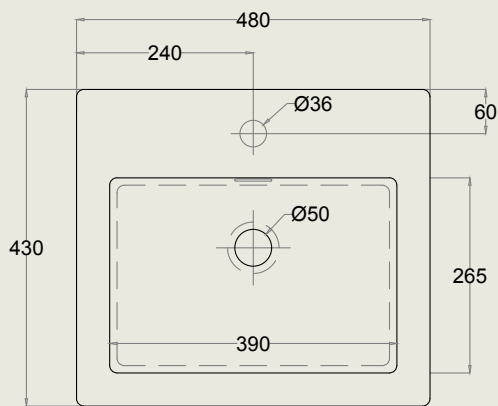


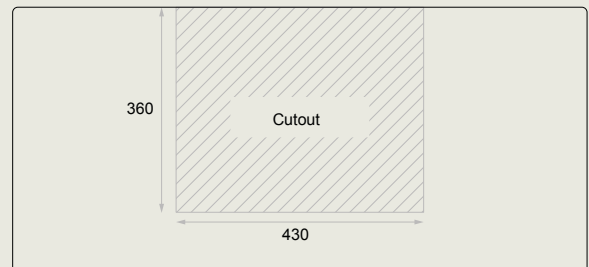
MARQUIS



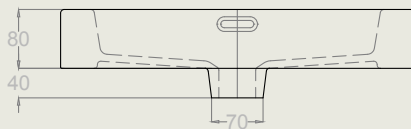
TOP VIEW



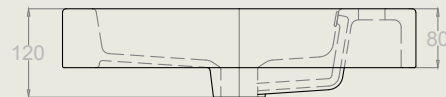
CUTOUT SPACE



FRONT VIEW



SIDE VIEW



Standard waste hole cutout - 360mm deep x 430mm wide at rear of benchtop

Bacino White Gloss

Enjoy the convenience of receiving a Marquis above counter basin along with your vanity at no additional cost. If you prefer a custom above counter basin, we can accommodate your request with cutouts. Additionally, our basins are also available for individual purchase without the vanity (price shown).

\$460RRP inc GST (as shown)

All measurements are in 'mm' and are approximate and to be used as a guide only. Installation preparations are not recommended without product onsite. Variations of +/- 5mm are common in ceramic products. Please allow for such variations.